



Rodney Industries

APRIL 2024

BESPOKE FABRICATION

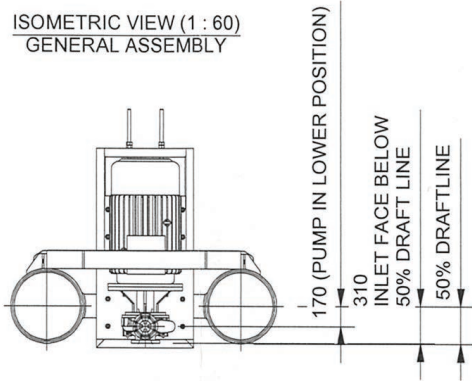




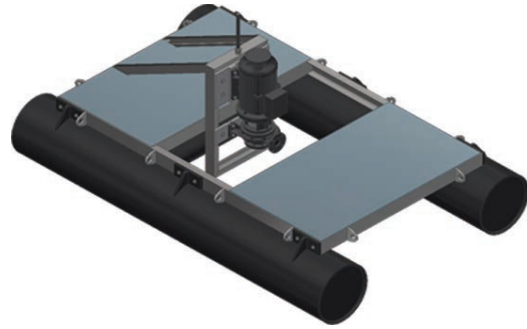
**REAL PEOPLE
REAL PRODUCTS
REAL SOLUTIONS**

BESPOKE FABRICATION

ISOMETRIC VIEW (1 : 60)
GENERAL ASSEMBLY



FRONT ELEVATION (1 : 60)



BUILT BETTER BY DESIGN

Do you and your customer have a design concept that you need to bring to life?

Our in house Draftsman can work together with you to create the solution you need.

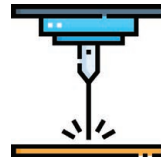
With the ability of combining expertise of both Metals and Poly fabrication, we are able to custom fabricate a wide range of products to suit your requirements.

OUR CAPABILITIES

BESPOKE FABRICATION



Custom piping, manifolds, strainers and fittings manufactured to customer specifications.



Steel laser cutting to 12mm, Stainless Steel cutting to 6mm



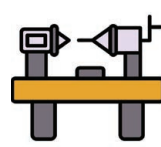
MIG and TIG stainless and aluminium welding.



Saw cutting to 500mm Dia.



Rolling, folding and guillotining of sheet and plate.



CNC turning, milling and drilling



Profile cutting to 100mm

OUR CAPABILITIES



Butt Welding 63mm-1000mm



Extrusion Welding



MIG and TIG stainless and aluminium welding.



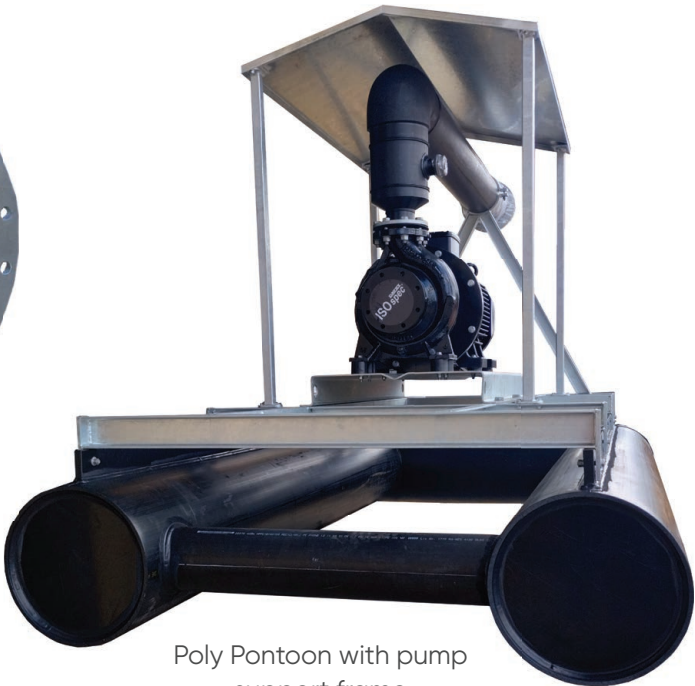
Sweep Bends:

- Up to 92° capabilities
- Size range 32mm - 355mm
- SDR 21 - SDR 11 available
- Accurate to 1°

BESPOKE FABRICATION



Flanged tee 800mm with flanged off take



Poly Pontoon with pump support frame



Manifold



Poly fabricated reducing tee



Dam Bubbler 630mm SDR17 Double Discharge with 450mm Floats and Anchor lugs

BESPOKE FABRICATION

BESPOKE FABRICATION

BESPOKE FABRICATION



Flanged reducing tee
800mm > 600mm



Flanged poly
suction box

Flanged Gav Pipe complete
with Flanged socket



350mm T/E HD Parallel Junction
c/w Lift Lug



Extended galvanised Eco
Check Valve





Rodney Industries

RODNEY INDUSTRIES

19 Valente Close,
Chermside QLD 4032
Phone: +61 7 3624 0300



Connect with Us



Proudly a division of
Vinidex
by aliaxis