



Rodney **Industries**

IRRIGATION

VALVES, PIPES & FITTINGS

APRIL 2026

Includes May 2026 price updates

TABLE OF CONTENTS

TABLE OF CONTENTS



Irrigation Valves and Strainers



Goose Necks and Flanged Pipe

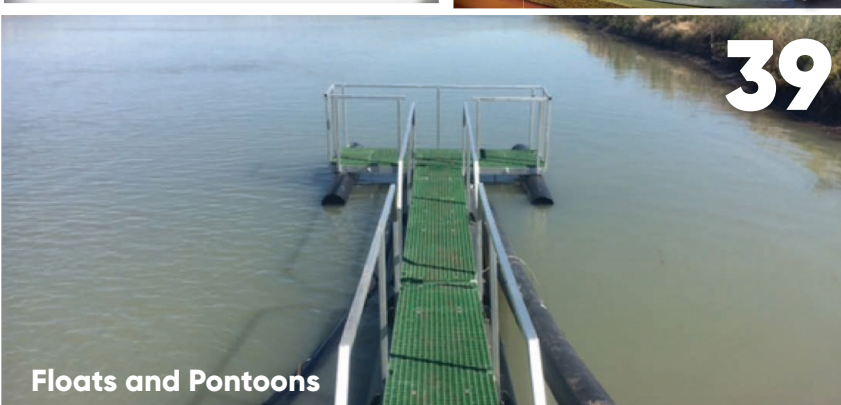


Galvanized, Stainless Steel and Aluminium Fittings



Polyethylene Fittings

43



Floats and pontoons

39



Irrigation Fittings

61

TABLE OF CONTENTS

Footvalves	Page 02	Aluminium Crosses	Page 34
Eco Check Valves	Page 06	Aluminium Bends	Page 35
Gate Check Valves	Page 07	Aluminium Starts and Ends	Page 36
Check Valves	Page 08	Floats and Pontoons	Page 40
Right Angle Discharge Valves	Page 08	Segmented Bends	Page 44
Eco Flap Valves	Page 09	Sweep Bends	Page 46
Gibault Joints	Page 09	Stub Flanges	Page 48
Stainers	Page 10	Maxi Stubs	Page 49
Valve Spare Parts	Page 14	Valves Spacers	Page 50
Goosenecks	Page 18	Shouldered Ends	Page 50
Flanged Pipe	Page 18	Nuts, Bolts and Gasket Kits	Page 51
Bends	Page 22	Bends and Tees	Page 52
Tees	Page 24	Junctions	Page 53
Tapers	Page 25	End Caps	Page 54
Flanged Support Brackets	Page 27	Reducers	Page 55
Bore Caps	Page 27	Backing Rings	Page 57
Flanges and Gaskets	Page 28	Joiners	Page 62
Connectors	Page 29	Couplers	Page 62
Hose Ends	Page 31	Flanged Fittings	Page 64
Hose Joiners, Tails and Clamps	Page 32	Weld Bells	Page 65
Aluminium Reducers	Page 33	Clamps and Gaskets	Page 66
Aluminium Tees	Page 33	Bauer Style Fittings	Page 67

RODNEY INDUSTRIES

Pricebook | Effective April 1, 2026





IRRIGATION VALVES AND STRAINERS

RELIABLE, DURABLE, AND BUILT FOR DEMANDING ENVIRONMENTS.

With over 100 types and sizes available, our Valves and Strainers provide solutions for a wide range of applications – and if you need something custom, we can manufacture to suit.

Key Features:

- Extensive range of configurations
- Hot-dip galvanised for corrosion resistance
- Suitable for ocean outlets, transfer ponds, channels and more
- Sizes available to meet most requirements
- Spare parts readily available
- Custom options available

FOOTVALVES



Please note:

Spring Loaded Code includes factory fitted spring.



STANDARD GALVANISED (TABLE D)

mm	Inches	Code	Price	Spring Load Code	Spring Load Price
80	3	6515	601.10	6515SL	678.70
100	4	6525	654.50	6525SL	753.40
125	5	6535	754.50	6535SL	805.00
150	6	6545	881.30	6545SL	958.20
200	8	6565	1,209.60		
250	10	6585	1,519.80		
300	12	6595	2,187.10		
350	14	6590	3,017.10		
375	15	6605	4,566.60		
400	16	6615	5,320.40		
450	18	6625	5,937.40		
500	20	6635	6,501.60		
600	24	6645	8,433.50		
660	26	6647	8,761.90		
750	30	6650	14,256.90		

STAINLESS STEEL 316 (TABLE D)

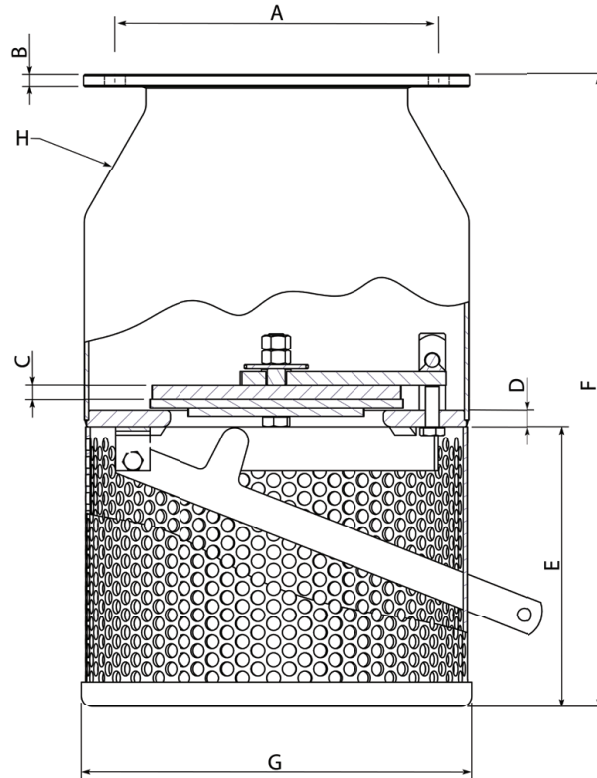
mm	Inches	Code	Price	Spring Load Code	Spring Load Price
80	3	6515SS316	2,581.20	6515SS316SL	2,631.00
100	4	6525SS316	1,182.80	6525SS316SL	1,592.10
125	5	6535SS316	1,447.10	6535SS316SL	1,478.90
150	6	6545SS316	1,722.80	6545SS316SL	1,976.80
200	8	6565SS316	P.O.A		
250	10	6585SS316	4,999.60		
300	12	6595SS316	P.O.A		
350	14	6590SS316	10,417.70		
375	15	6605SS316	9,742.90		
400	16	6615SS316	11,906.50		
450	18	6625SS316	16,428.00		
500	20	6635SS316	P.O.A		
600	24	6645SS316	24,507.50		



IRRIGATION VALVES AND STRAINERS

FOOTVALVES

Galvanised & Stainless Steel Technical Drawing



Size		A	B	C	D	E	F	G	H	Weight
mm	Inches	mm	mm	mm	mm	mm	mm	mm	mm	Approx kgs
80	3	146	10	10	12	178	372	188	3	10
100	4	178	10	10	12	178	393	220	3	11.7
125	5	210	10	10	12	203	448	258	3	16.2
150	6	235	10	10	12	203	459	283	3	18.5
175	7	260	10	10	12	230	500	310	2	20
200	8	292	12	12	16	278	595	340	3	30
250	10	356	12	12	16	312	676	405	3	42
300	12	406	12	12	16	364	776	455	3	53
350	14	470	16	16	20	408	897	525	3	82.5
375	15	495	16	16	20	432	920	550	2	86.5
400	16	521	16	16	20	470	975	585	2	98.4
450	18	584	20	20	25	505	1105	645	3	139
500	20	641	20	20	25	555	1180	710	3	178
600	24	756	20	20	25	665	1390	830	3	246
660	26	813	20	20	25	725	1510	875	3	280
750	30	927	25	20	32	820	1660	995	6	500

IRRIGATION VALVES AND STRAINERS

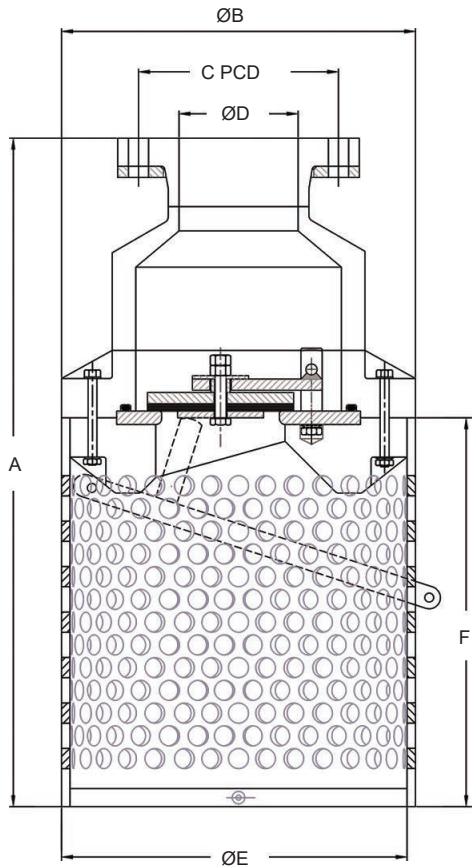
FOOTVALVES



POLY HOUSING G-10 GLASS RESIN & 316 STAINLESS STEEL

Size		Code	Price	Spring Loaded Code	Spring Loaded Price
mm	inches				
100	4	FVPS100	2,937.80	FVPS100SL	P.O.A
125	5	FVPS125	3,468.10	FVPS125SL	P.O.A
150	6	FVPS150	3,740.00	FVPS150SL	P.O.A
200	8	FVPS200	5,162.00		
250	10	FVPS250	6,729.20		
300	12	FVPS300	7,701.30		

IRRIGATION VALVES AND STRAINERS



Polyethylene Technical Drawing

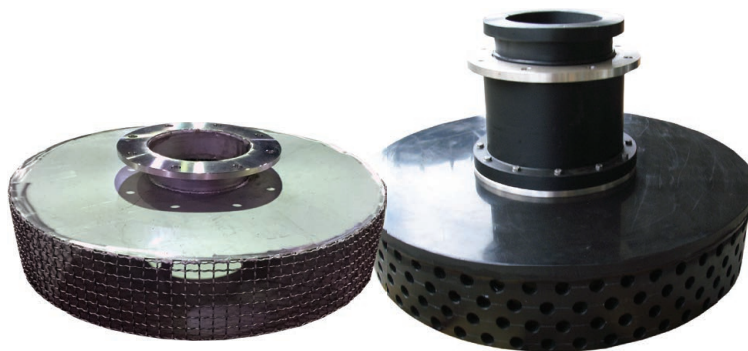
Footvalve	General Dimensions					
	A	ØB	C PCD	ØD	ØE	F
FVPS100	590	300	178 (4")	106	300	345
FVPS125	700	350	210 (5")	130	350	370
FVPS150	700	350	235 (6")	162	350	370
FVPS200	820	440	292 (8")	203	440	450
FVPS250	950	545	356 (10")	255	545	550
FVPS300	950	600	406 (12")	302	600	565

FOOTVALVES



SQUAT STYLE FOOTVALVES (TABLE D)

mm	Inches	DIA (mm)	Screen Height (mm)	Code	Price
100	4	600	155	6525SQ600	1,450.80
100	4	900	155	6525SQ900	1,550.40
125	5	600	170	6535SQ600	1,504.50
125	5	900	170	6535SQ900	1,641.90
150	6	600	170	6545SQ600	1,687.80
150	6	900	170	6545SQ900	1,825.30
200	8	600	170	6565SQ600	1,878.60
200	8	900	170	6565SQ900	2,015.90
200	8	1200	170	6565SQ1200	2,252.80
250	10	900	170	6585SQ900	2,420.80
250	10	1200	170	6585SQ1200	2,848.40
300	12	900	170	6595SQ900	2,649.90
300	12	1200	170	6595SQ1200	3,130.90



Also available in Stainless Steel and Polyethylene. Contact our sales office for further details.

ECO CHECK VALVES

IRRIGATION VALVES AND STRAINERS



STANDARD (TABLE D)

mm	Inches	Code	Price
80	3	6360	1,421.70
100	4	6370	1,817.50
125	5	6380	2,276.60
150	6	6390	2,280.90
200	8	6410	3,007.20
250	10	6420	5,028.00
300	12	6430	5,184.30
350	14	6440	8,026.10
375	15	6450	8,391.10
400	16	6460	8,626.80
450	18	6470	9,259.10
500	20	6480	10,596.20
600	24	6490	12,700.10
660	26	6500	13,781.00
660/750	26/30	6502	14,306.80
660/900	26/36	6504	15,128.60



WITH BYPASS (TABLE D)

mm	Inches	Bypass Size	Code	Price
80	3	20 copper	6360BP	1,828.60
100	4	20 copper	6370BP	2,319.00
125	5	20 copper	6380BP	2,778.10
150	6	20 copper	6390BP	2,688.40
200	8	20 copper	6410BP	3,523.40
250	10	32 gal	6420BP	5,495.70
300	12	32 gal	6430BP	5,652.90
350	14	40 gal	6440BP	8,891.80
375	15	40 gal	6450BP	9,259.10
400	16	50 gal	6460BP	9,428.60
450	18	50 gal	6470BP	10,126.40
500	20	60 gal	6480BP	11,690.30
600	24	60 gal	6490BP	14,176.60
660	26	80 gal	6500BP	15,310.50
660/750	26/30	80 gal	6502BP	15,834.90
660/900	26/36	80 gal	6504BP	16,657.20



Valve complete with inspection hatch
Please let sales department know when ordering if you require the hatch. (For sizes 14" and up).

GATE CHECK VALVES



STANDARD (TABLE D)

mm	Inches	Code	Price
80	3	6815	1,886.50
100	4	6825	2,045.10
125	5	6835	2,333.90
150	6	6845	2,484.50
200	8	6865	3,142.30
250	10	6885	4,969.90
300	12	6895	6,139.10
350	14	6905	7,981.50
400	16	6925	8,801.00
450	18	6935	11,681.20
500	20	6945	13,190.90
600	24	6955	15,242.00
660	26	6960	18,660.90
750	30	6965	20,767.70
660/750	26/30	6502	14,306.80
660/900	26/36	6504	15,128.60

WITH BYPASS (TABLE D)

mm	Inches	Bypass Size	Code	Price
80	3	20 copper	6815BP	2,256.70
100	4	20 copper	6825BP	2,444.60
125	5	20 copper	6835BP	2,795.70
150	6	20 copper	6845BP	2,930.20
200	8	20 copper	6865BP	3,580.80
250	10	32 gal	6885BP	5,344.50
300	12	32 gal	6895BP	6,908.70
350	14	40 gal	6905BP	8,967.70
400	16	50 gal	6925BP	9,147.60
450	18	50 gal	6935BP	11,946.20
500	20	65 gal	6945BP	14,730.80
600	24	65 gal	6955BP	16,868.50
660	26	80 gal	6960BP	19,492.90
750	30	80 gal	6965BP	21,438.20
660/750	26/30	80 gal	6502BP	15,834.90
660/900	26/36	80 gal	6504BP	16,657.20



IRRIGATION VALVES AND STRAINERS

CHECK VALVES

IRRIGATION VALVES AND STRAINERS



STANDARD (TABLE D)

mm	Inches	Code	Price
80	3	6655	1,455.50
100	4	6665	1,580.40
125	5	6675	1,838.20
150	6	6685	1,897.60
200	8	6705	2,747.20
250	10	6725	4,475.80
300	12	6735	5,609.80
350	14	6745	7,405.80
375	15	6755	7,577.80
400	16	6765	8,197.50
450	18	6775	9,607.30
500	20	6785	11,185.50
600	24	6795	13,307.70
660	26	6797	16,390.30
750	30	6805	18,739.60



WITH BYPASS (TABLE D)

mm	Inches	Bypass Size	Code	Price
80	3	20 copper	6655BP	1,825.70
100	4	20 copper	6665BP	1,977.50
125	5	20 copper	6675BP	2,294.80
150	6	20 copper	6685BP	2,324.10
200	8	20 copper	6705BP	3,190.20
250	10	32 gal	6725BP	4,856.20
300	12	32 gal	6735BP	6,379.30
350	14	40 gal	6745BP	8,391.40
375	15	40 gal	6755BP	8,568.30
400	16	50 gal	6765BP	9,142.60
450	18	50 gal	6775BP	10,546.60
500	20	65 gal	6785BP	12,510.10
600	24	65 gal	6795BP	15,145.70
660	26	80 gal	6797BP	18,345.20
750	30	80 gal	6805BP	19,412.90

RAD VALVES



RIGHT ANGLE DISCHARG FAVLE (TABLE D)

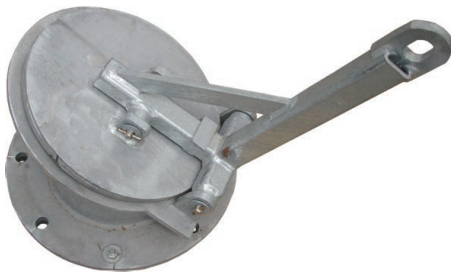
Inlet		Outlet		Code	Price
mm	Inches	mm	Inches		
50&65	2&2½	100&125	4&5	R22545	2,352.50
50&65	2&2½	125&150	5&6	R22556	2,766.20
65&80	2½&3	100&125	4&5	R25345	4,213.00
80&100	3&4	125&150	5&6	R3456	4,283.20
125&150	5&6	200	8	R568	4,544.70

ECO FLAP VALVES



STANDARD ECO FLAP VALVE (TABLE D)

mm	Inches	Code	Price
350	14	ECO3303	4,117.60
400	16	ECO3307	4,284.20
450	18	ECO3312	4,806.80
500	20	ECO3315	5,127.90
600	24	ECO3322	6,338.50
660	26	ECO3323	6,880.80
750	30	ECO3325	8,789.00
800	32	ECO3330	10,307.90
900	36	ECO3335	12,366.40



HEAVY DUTY FLANGED (TABLE D)

mm	Inches	Code	Price
80	3	3267F	769.10
100	4	3275F	793.30
125	5	3277F	1,070.30
150	6	3285F	1,073.30
200	8	3287F	2,245.60
250	10	3295F	3,804.00
300	12	3297F	4,185.10
350	14	3303F	5,368.40
375	15	3305F	6,589.00
400	16	3307F	5,681.50
450	18	3312F	6,286.90
500	20	3315F	7,570.50
600	24	3322F	8,352.00
750	30	3325F	12,363.50

GIBALT JOINTS



GIBALT JOINT

mm	to suit OD	Code	Price
300	324	GJ300	1,486.70
400	407	GJ400	2,331.00
500	508	GJ500	2,635.30
600	640	GJ600	2,869.90
660	660	GJ660	2,942.50
750	762	GJ750	5,324.60
900	914	GJ900	7,138.40
1200	1219	GJ1200	12,500.60
1500	1520	GJ1500	15,626.60

IRRIGATION VALVES AND STRAINERS

STRAINERS



SUCTION STRAINER (PERFORATED SHEET)

Size						Code	Price
mm	Inches	Mesh size	Open area	Dia.	H		
50	2	6.35x8.89	46%	90	200	7450	237.30
50	2	6.35x8.89	46%	175	120	7452	267.80
80	3	9.53x14.47	40%	200	400	7454	407.90



HOSE TAIL STRAINER

mm	Inches	mesh	Code	Price
50	2	Punched	7265	256.70
80	3	Punched	7285	290.90
100	4	Punched	7295	298.90
125	5	Punched	7305	319.80
150	6	Punched	7315	366.50
200	8	Punched	7325	431.00



FLANGED STRAINER (TABLE D)

mm	Inches	mesh	Code	Price
80	3	Punched	7345	285.60
100	4	Punched	7355	310.20
125	5	Punched	7365	322.70
150	6	Punched	7375	413.90
200	8	Punched	7395	458.30
250	10	Weldmesh	7415	1,525.00
300	12	Weldmesh	7425	1,539.10
350	14	Weldmesh	7435	1,813.40



LEAF AND LINT STRAINERS (TABLE D)

mm	Inches	Code	Price
80	3	7505	5,000.70
100	4	7515	5,292.90
125	5	7525	5,392.30
150	6	7535	5,972.00
200	8	7545	6,868.20

PLEASE NOTE: OUR RANGE OF LEAF & LINT SUCTION STRAINERS ARE NOT PRESSURE RATED.

POLYETHYLENE LEAF & LINT STRAINER

At Rodney Industries, we know that quality, durability, and performance matter. That’s why our Leaf and Lint Suction Strainers are built to deliver years of dependable, low-maintenance service.

To ensure long-term durability and reliable performance, our Leaf and Lint Strainers are fitted with high quality Stainless Steel 316 mesh baskets – a superior alternative to galvanized options.

FEATURES INCLUDE:

- Flow rates from 10 to 150 litres per second
- Corrosion-resistant polyethylene body for lightweight strength
- Galvanized swing-away toggles for quick and easy basket access
- Stainless Steel 316 mesh basket for maximum durability.

APPLICATIONS INCLUDE:

- Commercial and public swimming pools
- Resorts and aquatic centres
- Decorative water features
- Irrigation systems
- Gross pollutant removal
- Gross pollutants removal



LEAF & LINT SUCTION STRAINERS (TABLE D)

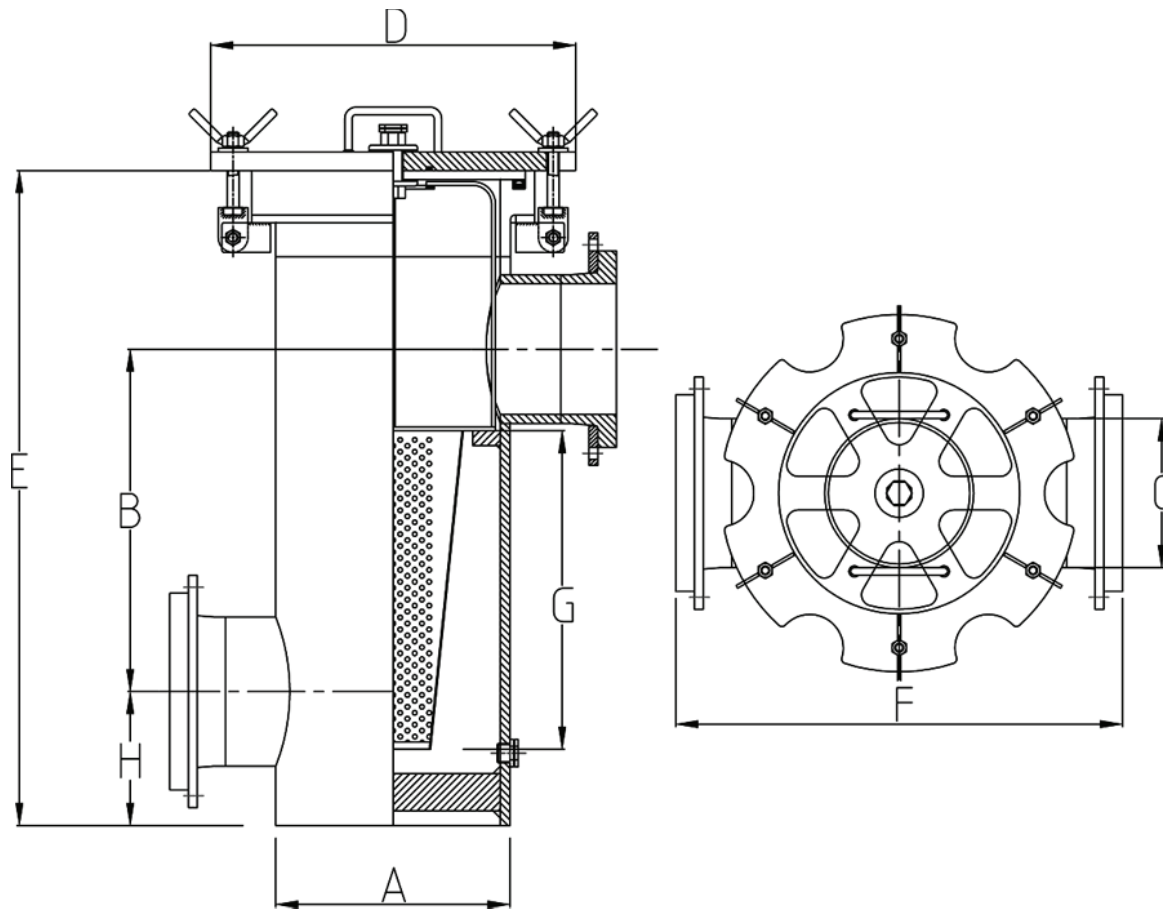
Size	Flow LTR/SEC	Code	Price
LLS010	10	LLS10	5,681.60
LLS-015	10<15	LLS15/11090	5,293.30
	10<15	LLS15/110110	
LLS-030	15<30	LLS30/160110	5,832.30
	15<30	LLS30/160160	
LLS-050	30<50	LLS50/200160	6,255.20
	30<50	LLS50/200200	8,851.20
LLS-075	50<75	LLS75/225200	7,481.20
	50<75	LLS75/225225	
LLS-100	75<100	LLS100/250225	9,395.30
	75<100	LLS100/250250	
LLS-710	TBA	LLS710	24,928.30

IRRIGATION VALVES AND STRAINERS

PLEASE NOTE: OUR RANGE OF LEAF & LINT SUCTION STRAINERS ARE NOT PRESSURE RATED.

POLYETHYLENE LEAF & LINT STRAINER

IRRIGATION VALVES AND STRAINERS



STRAINER	FLOW	INLET	OUTLET	A	B	C	D	E	F	G	H
LLS-010	10	90	90	315/17	500	90	480	940	600	475	180
LLS15/11090	10<15	110	90	315/17	500	110	480	940	600	475	180
LLS15/110110	10<15	110	110	315/17	500	110	480	940	600	475	180
LLS30/160110	15<30	160	110	315/17	500	160	480	940	600	475	180
LLS30/160160	15<30	160	160	315/17	500	160	480	940	600	475	180
LLS50/200160	30<50	200	160	400/17	500	200	570	990	750	475	225
LLS50/200200	30<50	200	200	400/17	500	200	570	990	750	475	225
LLS75/225200	50<75	225	200	450/21	500	225	635	1015	800	475	225
LLS75/225225	50<75	225	225	450/21	500	225	635	1015	800	475	225
LLS100/250225	75<100	250	225	500/21	560	250	680	1140	850	490	250
LLS100/250250	75<100	250	250	500/21	560	250	680	1140	850	490	250
LLS-710	TBA	355/630	355/630	710/17	766	355	900	1375	1300	n/a	760

PLEASE NOTE: OUR RANGE OF LEAF & LINT SUCTION STRAINERS ARE NOT PRESSURE RATED.



CUSTOMER SPECIFICATION FORM

To ensure your Leaf & Lint Suction Strainer is manufactured to your project specifications, please complete the following and email it to sales@rodneyind.com.au

Company: _____

Contact Name: _____

Purchase Order Number: _____

Inlet Size: _____

Inlet Height (B): _____

Outlet Size: _____

Outlet Height: _____

Lid Options:
Standard or Poly Carbonate (Clear) _____

VALVE SPARES

IRRIGATION VALVES AND STRAINERS



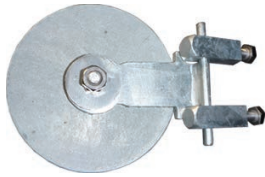
GATE CHECK VALVE SPARE PARTS - SPINDLE ONLY

mm	Inches	Code	Price
80	3	41004	220.40
100	4	41002	229.80
125	5	41007	229.80
150	6	41006	231.50
200	8	41008	287.90



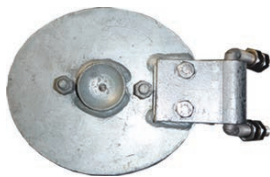
GATE CHECK VALVE SPARE PARTS - DONKEY COMPLETE

mm	Inches	Code	Price
80	3	DON3	437.00
100	4	DON4	438.40
125	5	DON5	438.40
150	6	DON6	445.10
200	8	DON8	461.20



FOOTVALVE SPARE PARTS - CLACK ASSEMBLY COMPLETE

mm	Inches	Code	Price
80	3	FCA3	202.40
100	4	FCA4	240.60
125	5	FCA5	255.90
150	6	FCA6	271.20
200	8	FCA8	381.10



CHECK VALVE SPARE PARTS - CLACK ASSEMBLY COMPLETE

mm	Inches	Code	Price
80	3	GVCA3	362.80
100	4	GVCA4	368.00
125	5	GVCA5	384.10
150	6	GVCA6	412.80
200	8	GVCA8	644.10



SUCTION STRAINERS - GALVANIZED

Replacement for Rodney's Footvalve

mm	Inches	Mesh	Code	Price
80	3	Punched	7115	96.30
100	4	Punched	7125	104.00
125	5	Punched	7135	120.80
150	6	Punched	7145	154.50
200	8	Punched	7165	209.20

VALVE SPARES



SUCTION STRAINERS - STAINLESS

Replacement for Rodney's Footvalve

mm	Inches	Mesh	Code	Price
80	3	Punched	7115SS	300.50
100	4	Punched	7125SS	316.80
125	5	Punched	7135SS	345.80
150	6	Punched	7145SS	392.40
200	8	Punched	7165SS316	792.90



CHECK VALVE CLACK RUBBER

mm	Inches	Code	Price
80	3	11085EPDM	18.90
100	4	11095EPDM	24.50
125	5	11105EPDM	27.10
150	6	11115EPDM	32.20
200	8	11135EPDM	48.80



FOOTVALVE CLACK RUBBER

mm	Inches	Code	Price
80	3	11235EPDM	14.60
100	4	11245EPDM	21.70
125	5	11255EPDM	24.50
150	6	11265EPDM	30.00
200	8	11285EPDM	35.50
250	10	11305EPDM	54.30
300	12	11315EPDM	70.30
350	14	11325EPDM	76.70
375	15	11335EPDM	113.60
400	16	11345EPDM	120.40
450	18	11355EPDM	125.30
500	20	11365EPDM	131.40
600	24	11375EPDM	176.80
750	30	11385EPDM	271.40

IRRIGATION VALVES AND STRAINERS



Rodney Industries

**PERFORMANCE
YOU CAN TRUST,
SEASON AFTER
SEASON**





GOOSENECKS & FLANGED PIPE

QUALITY PIPING SOLUTIONS YOU CAN TRUST.

Rodney Industries' Goosenecks and Flanged Pipe deliver the proven strength, reliability, and versatility that Australian growers and irrigators trust. With an extensive range of sizes in both galvanised and polyethylene options, our products are engineered to perform in demanding environments and withstand long-term field use. Custom, non-standard lengths are also available on request, ensuring the right fit for every installation and providing tailored solutions that support efficient, dependable irrigation across a wide variety of applications.

GOOSENECKS

GOOSENECKS & FLANGED PIPE



FLANGED PIPE



HEAVY DUTY (TABLE D)

Degree	Size mm	c/l height mm	Inches	Code	Price
90°	80	600	3	8035	515.50
	100	750	4	8040	584.30
	125	900	5	8045	755.60
	150	900	6	8050	915.80
	200	900	8	8055	1,300.50
45°	80	600	3	8000	562.00
	100	750	4	8005	664.90
	125	900	5	8010	885.50
	150	900	6	8015	958.70
	200	900	8	8020	1,337.50

GOOSENECKS - FLANGED

mm	Size		Code	Price	Code	Price
	(h)	(l)				
110	750	980	GN4511017	815.10	GN4511011	841.00
125	900	1150	GN4512517	918.50	GN4512511	948.90
140	900	1150	GN4514017	1,122.40	GN4514011	1,186.20
160	900	1200	GN4516017	1,225.70	GN4516011	1,269.80
200	900	1250	GN4520017	1,499.30	GN4520011	1,576.90
225	900	1250	GN4522517	1,653.10	GN4522511	1,742.70
250	1000	1400	GN4525017	2,491.00	GN4525011	2,664.20
280	1000	1400	GN4528017	3,112.90	GN4528011	3,308.90
315	1250	1660	GN4531517	3,715.10	GN4531511	4,073.80

1.6mm WALL THICKNESS (TABLE D)

Length	mm	Inches	Code	Price
900mm	100	4	8520	321.10
	125	5	8580	392.50
	150	6	8640	405.80
1800mm	100	4	8530	327.60
	125	5	8590	401.10
	150	6	8650	466.90
2700mm	100	4	8540	379.40
	125	5	8600	466.90
	150	6	8660	546.70
3600mm	100	4	8550	435.40
	125	5	8610	532.70
	150	6	8670	627.20
4500mm	100	4	8560	488.60
	125	5	8620	599.90
	150	6	8680	704.80
5500mm	100	4	8570	546.70
	125	5	8630	673.40
	150	6	8690	794.60

FLANGED PIPE

2.0mm WALL THICKNESS (TABLE D)

Length	mm	Inches	Code	Price
900mm	200	8	8880	568.90
	250	10	9000	782.80
	300	12	9055	914.30
	350	14	9170	1,281.00
	375	15	9300P	1,356.80
	400	16	9360	1,433.80
	450	18	9470	1,760.90
1800mm	200	8	8885	708.60
	250	10	9010	957.00
	300	12	9070	1,140.00
	350	14	9190	1,561.00
	375	15	9310P	1,618.30
	400	16	9370	1,713.20
	450	18	9490	2,075.50
2700mm	200	8	8895	849.60
	250	10	9020	1,131.00
	300	12	9090	1,367.00
	350	14	9210	1,836.70
	375	15	9320	1,830.10
3600mm	400	16	9390	1,993.80
	450	18	9510	2,390.70
	200	8	8905	989.10
	250	10	9030	1,305.30
	300	12	9110	1,595.50
4500mm	350	14	9230	2,112.20
	375	15	9330	2,124.00
	400	16	9410	2,273.10
	450	18	9530	2,706.70
	200	8	8915	1,123.80
5500mm	250	10	9040	1,480.10
	300	12	9130	1,819.00
	350	14	9250	2,390.70
	375	15	9340	2,407.70
	400	16	9430	2,416.50
5500mm	450	18	9550	3,019.10
	200	8	8925	1,286.90
	250	10	9050	1,676.50
	300	12	9150	2,071.20
	350	14	9270	2,696.60
5500mm	375	15	9350	2,701.60
	400	16	9450	2,865.60
	450	18	9570	3,368.90

4.0mm WALL THICKNESS (TABLE D)

Length	mm	Inches	Code	Price
900mm	80	3	8100	272.90
	100	4	8130	321.20
	125	5	8160	455.70
	150	6	8190	504.80
	200	8	8220	684.00
1800mm	80	3	8105	345.80
	100	4	8135	425.70
	125	5	8165	583.10
	150	6	8195	656.50
2700mm	200	8	8225	908.60
	80	3	8110	417.90
	100	4	8140	595.70
	125	5	8170	706.90
3600mm	150	6	8200	809.10
	200	8	8230	1,103.10
	80	3	8115	491.30
	100	4	8145	700.70
4500mm	125	5	8175	833.60
	150	6	8205	961.70
	200	8	8235	1,296.30
	80	3	8120	564.90
5500mm	100	4	8150	807.80
	125	5	8180	960.40
	150	6	8210	1,114.90
	200	8	8240	1,490.90
5500mm	80	3	8125	646.10
	100	4	8155	923.90
	125	5	8185	1,108.70
	150	6	8215	1,284.40
5500mm	200	8	8245	1,705.80

GOOSENECKS & FLANGED PIPE

FLANGED PIPE



SUCTION LINE - STRAIGHT - 6 MTRS

Size	Code	Price	Code	Price
mm	SDR17		SDR11	
90	FP609017	466.60	FP609011	517.80
110	FP611017	595.40	FP611011	702.70
125	FP612517	757.10	FP612511	847.00
140	FP614017	824.20	FP614011	1,144.50
160	FP616017	1,037.30	FP616011	1,178.10
200	FP620017	1,498.50	FP620011	1,808.30
225	FP622517	1,788.90	FP622511	2,125.20
250	FP625017	1,959.90	FP625011	2,537.30
280	FP628017	2,546.10	FP628011	2,928.10
315	FP631517	2,679.80	FP631511	3,644.70
355	FP635517	3,949.60	FP635511	4,321.00

SUCTION LINE - STRAIGHT - 12 MTRS

Size	Code	Price	Code	Price
mm	SDR17		SDR11	
90	FP1209017	618.10	FP1209011	718.40
110	FP1211017	794.10	FP1211011	1,007.10
125	FP1212517	996.70	FP1212511	1,176.30
140	FP1214017	1,084.70	FP1214011	1,713.40
160	FP1216017	1,385.70	FP1216011	1,667.40
200	FP1220017	2,095.40	FP1220011	2,715.00
225	FP1222517	2,567.30	FP1222511	3,238.10
250	FP1225017	2,762.60	FP1225011	3,921.30
280	FP1228017	3,784.00	FP1228011	4,549.80
315	FP1231517	3,875.40	FP1231511	5,757.60
355	FP1235517	6,169.80	FP1235511	6,914.50

GOOSENECKS & FLANGED PIPE



SUCTION LINE COMPLETE WITH 45° SWEEP BEND - 6 MTRS

Size	Code	Price	Code	Price
mm	SDR17		SDR11	
90	FPS609017	524.20	FPS609011	569.50
110	FPS611017	720.20	FPS611011	857.00
125	FPS612517	973.50	FPS612511	1,102.80
140	FPS614017	1,182.60	FPS614011	1,559.50
160	FPS616017	1,348.00	FPS616011	1,856.30
200	FPS620017	1,972.70	FPS620011	2,405.20
225	FPS622517	2,275.80	FPS622511	2,795.50
250	FPS625017	2,881.30	FPS625011	3,320.70
280	FPS628017	3,377.90	FPS628011	4,038.20
315	FPS631517	4,110.80	FPS631511	4,839.70
355	FPS635517	5,376.30	FPS635511	6,134.70

SUCTION LINE COMPLETE WITH 45° SWEEP BEND - 12 MTRS

Size	Code	Price	Code	Price
mm	SDR17		SDR11	
90	FPS1209017	689.70	FPS1209011	749.90
110	FPS1211017	950.40	FPS1211011	1,167.60
125	FPS1212517	1,293.20	FPS1212511	1,472.70
140	FPS1214017	1,549.50	FPS1214011	2,214.80
160	FPS1216017	1,805.20	FPS1216011	2,728.80
200	FPS1220017	2,704.00	FPS1220011	3,429.60
225	FPS1222517	3,178.20	FPS1222511	4,031.20
250	FPS1225017	4,008.20	FPS1225011	4,352.80
280	FPS1228017	4,805.10	FPS1228011	5,499.30
315	FPS1231517	5,933.80	FPS1231511	6,716.50
355	FPS1235517	7,689.00	FPS1235511	8,518.10



GALVANISED

STAINLESS & ALUMINIUM FITTINGS

VERSATILE FITTINGS FOR REAL-WORLD CONDITIONS

Rodney Industries offers a comprehensive range of galvanised, aluminium and stainless steel fittings – each designed to perform where it counts. Galvanised fittings provide durable, cost-effective protection in harsh environments; aluminium offers lightweight strength ideal for easy handling and transport; and stainless steel delivers premium corrosion resistance for demanding or long-term applications. With multiple materials and configurations available, there's a reliable solution for every project.

BENDS



GENERAL PURPOSE 4mm 45° FIXED FLANGE (TABLE D)

mm	Inches	Code	Price
80	3	1730	99.60
100	4	1735	147.20
125	5	1740	248.70
150	6	1750	271.80
200	8	1770	532.20



GENERAL PURPOSE 4mm 45° LOOSE FLANGE (TABLE D)

mm	Inches	Code	Price
80	3	2050	107.70
100	4	2060	156.00
125	5	2070	259.90
150	6	2080	287.20
200	8	2100	550.90

HEAVY DUTY MIN. 5mm 45° FIXED FLANGE (TABLE D)

HEAVY DUTY	mm	Inches	Code	Price
	80	3	1731	302.60
	100	4	1736	259.70
	125	5	1741	354.20
	150	6	1751	343.90
	200	8	1771	651.50
	250	10	1791	965.60
	300	12	1801	1,248.70

HEAVY DUTY MIN. 5mm 45° LOOSE FLANGE (TABLE D)

HEAVY DUTY	mm	Inches	Code	Price
	80	3	2051	338.70
	100	4	2061	304.00
	125	5	2071	402.90
	150	6	2081	419.70
	200	8	2101	753.10
	250	10	2121	1,145.60
	300	12	2131	1,455.30



General Purpose 4mm 90° Fixed Flange (Table D)

mm	Inches	Code	Price
80	3	1885	117.40
100	4	1890	175.80
125	5	1900	218.20
150	6	1910	362.30
200	8	1930	652.50



GENERAL PURPOSE 4mm 90° LOOSE FLANGE (TABLE D)

mm	Inches	Code	Price
80	3	2225	123.90
100	4	2230	164.80
125	5	2240	259.90
150	6	2250	337.70
200	8	2270	671.70

HEAVY DUTY MIN. 5mm 90° FIXED FLANGE (TABLE D)

HEAVY DUTY	mm	Inches	Code	Price
	80	3	1886	203.00
	100	4	1891	235.50
	125	5	1901	314.10
	150	6	1911	359.70
	200	8	1931	681.50
	250	10	1951	1,024.30
	300	12	1961	1,348.90

HEAVY DUTY MIN. 5mm 90° LOOSE FLANGE (TABLE D)

HEAVY DUTY	mm	Inches	Code	Price
	80	3	2226	238.80
	100	4	2231	276.70
	125	5	2241	363.20
	150	6	2251	431.50
	200	8	2271	774.20
	250	10	2291	1,197.30
	300	12	2301	1,547.00

GALVANISED FITTINGS

BENDS



2mm LIGHT WALL 45° FIXED FLANGE (TABLE D)

mm	Inches	Code	Price
225	9	1780	1,018.30
250	10	1790	1,263.40
300	12	1800	1,426.80
350	14	1810	2,047.90
375	15	1820	2,039.70
400	16	1830	2,197.20
450	18	1840	2,558.60



2mm LIGHT WALL 45° LOOSE FLANGE (TABLE D)

mm	Inches	Code	Price
225	9	2110	1,086.60
250	10	2120	1,412.50
300	12	2130	1,488.90
350	14	2140	2,232.70
375	15	2150	2,160.70
400	16	2160	2,376.80
450	18	2170	3,024.70



2mm LIGHT WALL 90° FIXED FLANGE (TABLE D)

mm	Inches	Code	Price
225	9	1940	1,263.40
250	10	1950	1,642.60
300	12	1960	1,808.90
350	14	1970	2,602.40
375	15	1980	2,501.50
400	16	1990	2,698.80
450	18	2000	3,131.50



2mm LIGHT WALL 90° LOOSE FLANGE (TABLE D)

mm	Inches	Code	Price
225	9	2280	1,322.80
250	10	2290	1,767.20
300	12	2300	2,033.80
350	14	2310	2,788.40
375	15	2320	2,598.00
400	16	2330	3,457.40
450	18	2340	3,600.60

GALVANISED FITTINGS

BENDS



* Denotes Lobster Back Style 2mm Wall

MEDIUM WALL LOOSE FLANGE 90°

mm	Inches	Code	Price
80-40	3-1½	2380S	504.90
80-50	3-2	2385S	483.40
80-65	3-2½	2390S	579.80
100-40	4-1½	2410S	550.00
100-50	4-2	2420S	564.80
100-65	4-2½	2430S	608.70
100-80	4-3	2440S	625.10
125-65	5-2½	2450S	621.30
125-80	5-3	2460S	668.20
125-100	5-4	2465S	655.50
150-65	6-2½	2470S	740.10
150-80	6-3	2475S	780.20
150-100	6-4	2480S	822.30
150-125	6-5	2490S	797.90
200-125	8-5	2530S	995.40
200-150	8-6	2540S	922.10
250-150*	10-6*	2590S	1,373.20
250-200*	10-8*	2600S	1,830.60

GALVANISED FITTINGS

TEES



1.6mm LIGHT WALL (TABLE D)

mm	Inches	Code	Price
80-50	3-2 branch	6130	459.50
80-80	3-3	6135	456.60
100-80	4-3 branch	6140	495.90
100-100	4-4	6145	505.40
125-100	5-4 branch	6150	567.40
125-125	5-5	6155	604.30
150-100	6-4 branch	6160	622.30
150-150	6-6	6165	637.70
200-150	8-6 branch	6170	800.90
200-200	8-8	6175	881.40
250-250	10-10	6195	1,464.30
300-300	12-12	6205	1,644.60

HEAVY DUTY (TABLE D)

HEAVY DUTY	mm	Inches	Code	Price
	80-80	3	6136	465.40
	100-100	4	6146	551.30
	125-125	5	6156	671.50
	150-150	6	6166	812.70
	200-200	8	6176	1,080.30
	250-250	10	6196	1,480.50
	300-300	12	6206	1,914.20
	350-350	14	6219	3,549.30

TAPERS CONCENTRIC



LIGHT WALL (TABLE D)

mm	Inches	Code	Price	Code with socket	Price
32-50	1¼-2	4985	245.90	4985S	346.30
32-80	1¼-3	4995	248.90	4995S	349.40
40-50	1½-2	5005	263.90	5005S	P.O.A
40-65	1½-2½	5015	364.10	5015S	P.O.A
40-80	1½-3	5025	268.10	5025S	369.10
40-100	1½-4	5035	281.70	5035S	382.70
50-65	2-2½	5075	284.60	5075S	P.O.A
50-80	2-3	5045	428.70	5045S	529.80
50-100	2-4	5055	289.80	5055S	390.10
50-125	2-5	5065	318.70	5065S	P.O.A
65-80	2½-3	5085	273.40	5085S	373.80
65-100	2½-4	5095	286.10	5095S	387.20
65-125	2½-5	5105	313.60	5105S	414.60
65-150	2½-6	5115	335.30	5115S	436.10
80-100	3-4	5125	329.30	5125S	428.70
80-125	3-5	5135	356.70	5135S	456.30
80-150	3-6	5145	378.30	5145S	479.30
80-200	3-8	5155	382.70	5155S	482.20
100-125	4-5	5165	301.00	5165S	401.30
100-150	4-6	5175	317.40	5175S	417.60
100-175	4-7	5185	369.10	5185S	P.O.A
100-200	4-8	5195	395.40	5195S	495.60
100-225	4-9	5205	466.70	5205S	P.O.A
125-150	5-6	5215	313.60	5215S	414.60
125-175	5-7	5285	380.40	5285S	P.O.A
125-200	5-8	5225	405.80	5225S	506.90
125-225	5-9	5235	485.30	5235S	P.O.A
125-250	5-10	5245	517.20	5245S	P.O.A
150-200	6-8	5255	416.20	5255S	517.20
150-225	6-9	5265	500.80	5265S	P.O.A
150-250	6-10	5275	576.50	5275S	645.20
175-200	7-8	5305	476.20	5305S	P.O.A
200-225	8-9	5315	565.40	5315S	P.O.A
200-250	8-10	5325	647.90	5325S	650.10
200-300	8-12	5335	727.40	5335S	P.O.A
250-300	10-12	5375	768.20	5375S	827.90



SGP GENERAL PURPOSE - 4mm WALL (MIN.) (TABLE D)

mm	Inches	Code	Price	Code with socket	Price
50-80	2-3	5045GP	127.50	5045GPS	158.60
50-100	2-4	5055GP	167.70	5055GPS	204.70
65-80	2½-3	5085GP	128.90	5085GPS	165.00
65-100	2½-4	5095GP	167.70	5095GPS	203.20
65-125	2½-5	5105GP	235.70	5105GPS	P.O.A
65-150	2½-6	5115GP	264.10	5115GPS	298.90
80-100	3-4	5125GP	169.30	5125GPS	204.70
80-125	3-5	5135GP	237.20	5135GPS	272.60
80-150	3-6	5145GP	260.60	5145GPS	297.40
100-125	4-5	5165GP	237.20	5165GPS	P.O.A
100-150	4-6	5175GP	279.00	5175GPS	316.50
100-200	4-8	5195GP	408.70	5195GPS	446.20
125-150	5-6	5215GP	277.70	5215GPS	315.00
125-200	5-8	5225GP	396.60	5225GPS	433.40
150-200	6-8	5255GP	405.80	5255GPS	441.90



HEAVY DUTY - 5mm WALL (MIN.) (TABLE D)

mm	Inches	Code	Price	Code with socket	Price
65-100	2½-4	5097	259.60	5097S	281.20
80-100	3-4	5127	278.20	5127S	P.O.A
80-150	3-6	5147	302.70	5147S	318.20
100-125	4-5	5167	328.60	5167S	349.30
100-150	4-6	5177	368.50	5177S	382.00
125-150	5-6	5217	385.10	5217S	422.00
125-200	5-8	5227	525.90	5227S	527.40
150-200	6-8	5257	556.20	5257S	619.30
200-250	8-10	5327	831.20	5327S	865.20
250-300	10-12	5377	1,129.40	5377S	P.O.A

GALVANISED FITTINGS

TAPERS ECCENTRIC



LIGHT WALL (TABLE D)

mm	Inches	Code	Price	Code with socket	Price
32-50	1¼-2	5645	249.40	5645S	333.40
32-80	1¼-3	5655	215.10	5655S	300.80
40-50	1½-2	5665	264.40	5665S	347.50
40-65	1½-2½	5675	268.70	5675S	352.50
40-80	1½-3	5685	418.60	5685S	425.70
40-100	1½-4	5695	283.80	5695S	464.90
50-65	2-2½	5730	297.80	5730S	495.10
50-80	2-3	5710	279.30	5710S	379.00
50-100	2-4	5715	290.60	5715S	391.00
50-125	2-5	5720	363.50	5720S	464.80
65-80	2½-3	5725	274.00	5725S	374.70
65-100	2½-4	5735	286.80	5735S	388.00
65-125	2½-5	5740	314.30	5740S	415.40
65-150	2½-6	5745	334.30	5745S	435.70
80-100	3-4	5750	330.10	5750S	429.70
80-125	3-5	5755	358.90	5755S	458.80
80-150	3-6	5760	379.00	5760S	480.30
80-200	3-8	5765	448.40	5765S	548.90
100-125	4-5	5770	301.60	5770S	402.10
100-150	4-6	5775	318.00	5775S	418.60
100-175	4-7	5780	370.20	5780S	P.O.A
100-200	4-8	5785	396.10	5785S	496.80
100-225	4-9	5790	467.80	5790S	P.O.A
125-150	5-6	5795	314.30	5795S	415.40
125-175	5-7	5845	381.30	5845S	P.O.A
125-200	5-8	5800	406.70	5800S	507.90
125-225	5-9	5805	486.30	5805S	505.40
125-250	5-10	5810	518.40	5810S	618.10
150-200	6-8	5815	417.10	5815S	518.40
150-225	6-9	5825	501.90	5825S	524.90
150-250	6-10	5835	577.90	5835S	679.20
175-200	7-8	5865	477.30	5865S	P.O.A
200-225	8-9	5875	566.70	5875S	P.O.A
200-250	8-10	5895	649.50	5895S	750.00
200-300	8-12	5905	729.20	5905S	830.40
250-300	10-12	5945	836.20	5945S	937.50

SGP GENERAL PURPOSE - 4mm WALL (MIN.) (TABLE D)

mm	Inches	Code	Price	Code with socket	Price
50-80	2-3	5710GP	132.60	5710GPS	201.90
50-100	2-4	5715GP	172.10	5715GPS	204.70
65-80	2½-3	5725GP	132.60	5725GPS	201.90
65-100	2½-4	5735GP	172.10	5735GPS	204.70
65-125	2½-5	5740GP	218.80	5740GPS	251.40
65-150	2½-6	5745GP	279.00	5745GPS	313.80
80-100	3-4	5750GP	173.60	5750GPS	206.30
80-125	3-5	5755GP	220.30	5755GPS	252.90
80-150	3-6	5760GP	274.10	5760GPS	308.20
100-125	4-5	5770GP	245.20	5770GPS	277.70
100-150	4-6	5775GP	291.80	5775GPS	323.70
100-200	4-8	5785GP	429.10	5785GPS	462.50
125-150	5-6	5795GP	286.80	5795GPS	319.40
125-200	5-8	5800GP	417.00	5800GPS	449.00
150-200	6-8	5815GP	422.80	5815GPS	455.40



HEAVY DUTY - 5mm WALL (MIN.) (TABLE D)

mm	Inches	Code	Price	Code with socket	Price
65-100	2½-4	5733	263.40	5733S	358.90
80-100	3-4	5753	282.40	5753S	358.90
80-150	3-6	5763	306.30	5763S	359.70
100-125	4-5	5773	330.00	5773S	372.40
100-150	4-6	5778	373.10	5778S	385.60
125-150	5-6	5798	389.40	5798S	400.60
125-200	5-8	5803	531.80	5803S	625.80
150-200	6-8	5818	559.30	5818S	559.30
200-250	8-10	5898	846.20	5898S	855.80
250-300	10-12	5948	1,114.00	5948S	1,049.00

GALVANISED FITTINGS

ACCESSORIES



FLANGE SUPPORT BRACKET

mm	Inches	Code	Price
50	2	FSB2	19.30
80	3	FSB3	29.60
100	4	FSB4	32.20
125	5	FSB5	34.60
150	6	FSB6	34.60
200	8	FSB8	37.00
225	9	FSB9	27.20
250	10	FSB10	83.20
300	12	FSB12	90.70
350	14	FSB14	114.30
375	15	FSB15	158.50
400	16	FSB16	167.40
450*	18*	FSB18	201.90
500*	20*	FSB20	194.80
600*	24*	FSB24	233.40



* Denotes different style for larger brackets.



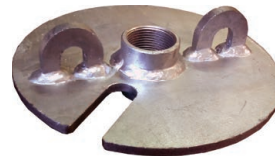
ADJUSTABLE FLANGE SUPPORT BRACKET

mm	Inches	Code	Price
80	3	FSB3A	104.00
100	4	FSB4A	104.00
125	5	FSB5A	104.00
150	6	FSB6A	104.00
200	8	FSB8A	104.00



BORE CAPS

mm	OD	Size		Code	Price
		Thickness	Slot		
32	230	8	55 x 25W	4200	100.50
40	230	8	55 x 25W	4201	105.60
50	230	8	55 x 25W	4202	107.70
65	230	8	55 x 25W	4203	117.10
80	285	10	70 x 25W	4204	144.20
100	285	10	70 x 25W	4206	163.10



BORE CAPS STAINLESS STEEL

mm	OD	Size		Code	Price
		Thickness	Slot		
32	230	8	55 x 25W	4200SS316	241.10
40	230	8	55 x 25W	4201SS316	256.40
50	230	8	55 x 25W	4202SS316	288.30
65	230	8	55 x 25W	4203SS316	303.50
80	285	10	70 x 25W	4204SS316	446.20
100	285	10	70 x 25W	4206SS316	511.30



BORE CAPS - DUAL FBSP TO SUIT DEEP WELL PUMP

mm	Code	Price
32mm x 40mm	4210G	177.00
40mm x 50mm	4207G	335.40

GALVANISED FITTINGS

FLANGES



WELD ON GALV (TABLE D)

mm	Inches	Thickness	Code	Price
50	2	10	10495	28.90
65	2½	10	10505	31.80
80	3	10	10515	34.80
100	4	10	10525	50.10
125	5	10	10535	63.40
150	6	10	10545	73.10
175	7	10	10555	94.40
200	8	12	10565	118.50
225	9	12	10575	146.20
250	10	12	10585	170.30
300	12	12	10595	185.70
350	14	16	10605	312.50
375	15	16	10615	335.40
400	16	16	10625	359.70
450	18	20	10635	528.50
500	20	20	10645	744.40
600	24	20	10655	800.30
750	30	20	10665	1,373.70
900	36	20	10675	1,533.00

BLANK GALV

mm	Inches	Thickness	Code	Price
50	2	10	10497	50.10
65	2½	10	10507	53.90
80	3	10	10517	56.10
100	4	10	10527	57.60
125	5	10	10537	65.00
150	6	10	10547	108.40
200	8	12	10567	131.30
250	10	12	10587	184.40
300	12	12	10597	207.90
350	14	16	10607	362.70
375	15	16	10617	405.30
400	16	16	10627	320.60
450	18	20	10637	597.70
500	20	20	10647	718.60
600	24	20	10657	942.60
750	30	20	10667	P.O.A
900	36	20	10677	P.O.A

GALVANISED FITTINGS

GASKETS



RUBBER GASKETS

Size		Code	Price
mm	Inches		
40	1½	11395	7.20
50	2	11405	7.20
65	2½	11415	7.20
80	3	11425	8.30
100	4	11435	8.30
125	5	11445	9.90
150	6	11455	9.90
175	7	11465	13.30
200	8	11475	13.30
225	9	11485	13.30

RUBBER GASKETS

Size		Code	Price
mm	Inches		
250	10	11495	16.10
300	12	11505	17.40
350	14	11515	20.10
375	15	11525	28.50
400	16	11535	30.00
450	18	11545	30.00
500	20	11555	40.50
600	24	11565	55.70
750	30	11575	76.70
900	36	11585	96.10

CONNECTORS



THREADED - HOSE ENDS

mm	Inches	Code	Price
80-50 BSP	3-2	4716	122.90
80-80 BSP	3-3	4726	136.10
100-80 BSP	4-3	4736	150.10
100-100 BSP	4-4	4746	152.90
125-125 BSP	5-5	4756	181.80
150-150 BSP	6-6	4766	253.00



TO HOSE (TWO BEADS)

mm	Inches	Code	Price
50	2	3060B2	34.90
65	2½	3070B2	41.50
80	3	3080B2	59.30
100	4	3090B2	89.50
125	5	4000B2	112.40
150	6	4010B2	131.70



FLANGED & THREADED BSP (TABLE D)

mm	Inches	Code	Price
65-65 BSP	2½-2½ BSP	3795	163.30
80-80 BSP	3-3 BSP	3805	165.60
100-100 BSP	4-4 BSP	3815	175.20
125-125 BSP	5-5 BSP	3825	202.70
150-80 BSP	6-3 BSP	4265	316.10
150-125 BSP	6-5 BSP	4285	372.00
150-150 BSP	6-6 BSP	3835	257.90



ENLARGING FLANGED & THREADED BSP (TABLE D)

mm	Inches	Code	Price
50-80 BSP	2-3 BSP	3875	257.90
50-100 BSP	2-4 BSP	3885	270.50
65-80 BSP	2½-3 BSP	3920	264.60
80-100 BSP	3-4 BSP	3930	259.50
100-125 BSP	4-5 BSP	3945	274.20
100-150 BSP	4-6 BSP	3950	319.70
125-150 BSP	5-6 BSP	3955	334.60



REDUCING FLANGED & THREADED BSP (TABLE D)

mm	Inches	Code	Price
65-50 BSP	2½-2 BSP	4165	175.20
80-50 BSP	3-2 BSP	4185	244.60
100-50 BSP	4-2 BSP	4215	256.50
100-80 BSP	4-3 BSP	4235	256.50
125-80 BSP	5-3 BSP	4245	300.50
125-100 BSP	5-4 BSP	4255	316.10
150-100 BSP	6-4 BSP	4275	333.30

GALVANISED FITTINGS

FLANGED CONNECTORS



1.6mm WALL THICKNESS (TABLE D)

Length	mm	Inches	Code	Price
300mm	80	3	3600	216.90
	100	4	3610	239.00
	125	5	3620	288.50
	150	6	3630	332.30
	200	8	3650	460.30
	250	10	3670	644.50
600mm	300	12	3680	719.50
	80	3	3605	227.60
	100	4	3615	255.10
	125	5	3625	308.70
	150	6	3635	356.90
	200	8	3655	502.50
250	10	3675	698.30	
300	12	3685	789.30	



4.0mm WALL THICKNESS (TABLE D)

Length	mm	Inches	Code	Price
300mm	80	3	3601	218.30
	100	4	3611	248.80
	125	5	3621	329.40
	150	6	3631	352.70
	200	8	3651	616.20
	250	10	3671	723.00
600mm	300	12	3681	736.50
	80	3	3606	240.40
	100	4	3616	284.80
	125	5	3626	371.00
	150	6	3636	400.80
	200	8	3656	660.80
250	10	3676	1,000.80	
300	12	3686	1,241.70	

GALVANISED FITTINGS

FLANGED HOSE ENDS



STRAIGHT: 1.6mm WALL LIGHT DUTY (TABLE D)

mm	inch	Code	Price
80	3	4356	95.90
100	4	4366	109.00
125	5	4376	140.70
150	6	4386	165.10
200	8	4406	177.50
250	10	4426	252.00
300	12	4436	555.50



REDUCING: 1.6mm WALL LIGHT DUTY (TABLE D)

mm	Inches	Code	Price
80- 50	3-2	4786	101.80
100- 50	4-2	4796	197.40
100- 80	4-3	4806	201.90
125- 80	5-3	4816	233.60
125-100	5-4	4826	206.40
150- 80	6-3	4986	227.60
150-100	6-4	4836	359.60
150-125	6-5	4846	246.80
200-100	8-4	4856	332.40
200-150	8-6	4866	426.70



ECCENTRIC: 1.6mm WALL LIGHT DUTY (TABLE D)

mm	Inches	Code	Price
80-100	3-4	4547	288.90
80-125	3-5	4557	280.60
80-150	3-6	4567	336.70
100-125	4-5	4577	326.50
100-150	4-6	4587	361.00
125-150	5-6	4597	355.20



ENLARGING: 1.6mm WALL LIGHT DUTY (TABLE D)

mm	Inches	Code	Price
50- 80	2-3	4546	118.50
50-100	2-4	4556	269.80
65- 80	2½ -3	4566	136.30
65-100	2½ -4	4576	267.60
80-100	3-4	4586	176.20
80-125	3-5	4596	280.60
80-150	3-6	4606	297.00
100-125	4-5	4616	237.30
100-150	4-6	4626	433.90
125-150	5-6	4636	207.80
200-250	8-10	4656	436.80

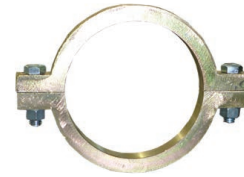
GALVANISED FITTINGS

HOSE JOINERS, TAILS & CLAMPS



**HOSE JOINER - SINGLE BEAD TO EACH END:
MIN 1.6mm WALL LIGHT DUTY**

mm	Inches	Code	Price
50	2	3060	41.50
65	2½	3070	44.40
80	3	3080	47.40
100	4	3090	51.90
125	5	4000	86.60
150	6	4010	109.60
200	8	4020	155.30



MACHINED – SUIT STANDARD LAYFLAT HOSE

mm	Inches	Code	Price
110	4	4978	344.80
114	4½	4980	362.60
125	5	4982	370.70
150	6	4984	419.20

GALVANISED FITTINGS



HEAVY DUTY HOSE JOINER (MACHINED) (TABLE D)

mm	Inches	Code	Price
80	3	3080HD	162.00
100	4	3090HD	230.00
125	5	4000HD	359.40
150	6	4010HD	439.90



STANDARD STAINLESS STEEL

mm	Inches	Code	Price
100	4	4905SS	P.O.A
125	5	4915SS	58.20
150	6	4925SS	59.80
200	8	4945SS	61.20



HEAVY DUTY HOSE TAIL (MACHINED)

mm	Inches	Code	Price
80	3	4356HD	173.20
100	4	4366HD	221.20
125	5	4376HD	314.60
150	6	4386HD	388.20
200	8	4406HD	909.10
250	10	4426HD	1,318.80



STANDARD ZINC PLATED

mm	Inches	Code	Price
80	3	4895	26.20
100	4	4905	28.40
125	5	4915	30.70
150	6	4925	32.50
200	8	4945	51.00

REDUCERS



STANDARD

mm	inch	Code	Price
80-50	3-2	495	73.20
100-50	4-2	515	74.60
100-80	4-3	525	85.30
125-80	5-3	535	124.70
125-100	5-4	545	93.40
150-125	6-5	555	97.60
150-100	6-4	565	246.40



SPECIAL - TO SUIT IRRIGATION HOSE

mm	inch	Code	Price
80-65	3-2 1/2	496	189.50
100-89	4-3 1/2	526	205.70
125-89	5-3 1/2	536	304.70
125-114	5-4 1/2	546	224.50

TEES



STANDARD

mm	inch	Code	Price
50	2	25	69.00
80	3	35	78.60
100	4	45	97.60
125	5	55	105.70
150	6	65	154.40



SINGLE REDUCING

mm	inch	Code	Price
80-80-50	3-3-2	95	77.10
100-100-50	4-4-2	105	81.20
100-100-80	4-4-3	115	89.30
125-125-50	5-5-2	125	100.30
125-125-100	5-5-4	135	111.10
150-150-125	6-6-5	145	146.20



DOUBLE REDUCING

mm	inch	Code	Price
80-50-50	3-2-2	155	139.50
100-50-50	4-2-2	165	143.50
100-80-80	4-3-3	175	154.40
125-100-100	5-4-4	185	166.50
150-125-125	6-5-5	195	189.50



THREADED BRANCH

mm	inch	Code	Price
50-50-50	2-2-2	235	92.10
80-80-50	3-3-2	240	101.60
80-80-80	3-3-3	245	119.20
80-80-100	3-3-4	265	224.50
100-100-50	4-4-2	275	112.40
100-100-80	4-4-3	285	124.70
100-100-100	4-4-4	295	128.70
125-125-50	5-5-2	305	138.20
150-150-100	6-6-4	315	174.60

CROSSES



STANDARD

mm	inch	Code	Price
50	2	325	77.10
80	3	335	83.90
100	4	345	104.20
125	5	355	135.40
150	6	365	193.60



SINGLE REDUCING

mm	inch	Code	Price
80-80-80-50	3-3-3-2	375	96.10
100-100-100-80	4-4-4-3	385	123.20
125-125-125-100	5-5-5-4	395	151.80
150-150-150-125	6-6-6-5	405	196.30



DOUBLE REDUCING

mm	inch	Code	Price
80-80-50-50	3-3-2-2	415	81.20
100-100-50-50	4-4-2-2	425	97.60
100-100-80-80	4-4-3-3	435	100.30
125-125-100-100	5-5-4-4	445	128.70
150-150-125-125	6-6-5-5	455	186.70

BENDS



STANDARD 45°

mm	Inches	Code	Price
50	2	795	54.20
80	3	810	56.90
100	4	815	73.20
125	5	820	89.30
150	6	825	120.40



STANDARD 90°

mm	Inches	Code	Price
50	2	675	56.90
80	3	685	65.00
100	4	695	77.10
125	5	705	92.10
150	6	715	123.20



REDUCING 45°

mm	Inches	Code	Price
80-50	3-2	845	119.20
100-80	4-3	855	143.50
125-100	5-4	865	165.30
150-125	6-5	875	192.20



Reducing 90°

mm	Inches	Code	Price
80-50	3-2	745	150.30
100-50	4-2	755	170.50
100-80	4-3	765	181.40
150-100	6-4	775	406.00
125-100	5-4	780	196.40
150-125	6-5	785	235.60

ALUMINIUM FITTINGS

STARTERS



BSP STARTER

mm	Inches	Code	Price
50-40 BSP	2-1½	1125	46.10
50-50 BSP	2-2	1135	54.20
50-80 BSP	2-3	1145	160.40
80-40 BSP	3-1½	1165	69.00
80-50 BSP	3-2	1175	74.60
80-65 BSP	3-2½	1185	83.90
80-80 BSP	3-3	1190	85.30
80-100 BSP	3-4	1195	101.60
100-40 BSP	4-1½	1205	92.10
100-50 BSP	4-2	1215	105.70
100-65 BSP	4-2½	1225	92.10
100-80 BSP	4-3	1235	101.60
100-100 BSP	4-4	1245	104.20

ALUMINIUM FITTINGS

ENDS



HOSE JOINER (BEAD EACH END)

mm	Inches	Code	Price
50	2	1035BEE	24.40
80	3	1045BEE	24.40
100	4	1055BEE	35.20
125	5	1065BEE	42.00
150	6	1075BEE	54.20



HOSE ENDS

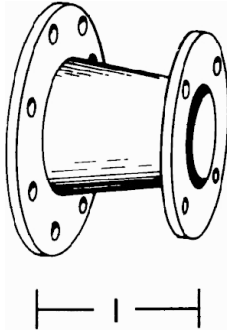
mm	Inches	Code	Price
50	2	1035	22.90
80	3	1045	22.90
100	4	1055	29.80
125	5	1065	34.00
150	6	1075	43.30



STOP ENDS

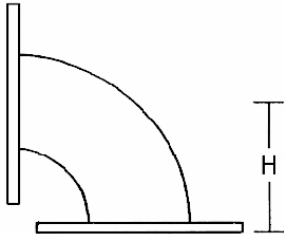
mm	Inches	Code	Price
50	2	975	27.10
80	3	985	39.20
100	4	995	43.30
125	5	1005	58.20
150	6	1010	78.60

GENERAL DIMENSIONS



GALVANISED TAPERS

mm	inches	Light Wall	Med Wall	Heavy Duty
		L (mm)	L (mm)	L (mm)
40 – 80	1 ½ - 3	160	-	89
50 – 80	2 – 3	160	111	89
50 – 100	2 – 4	160	124	102
65 – 80	2 ½ - 3	160	111	89
80 – 100	3 – 4	160	124	102
80 – 125	3 – 5	160	149	127
80 – 150	3 – 6	160	162	140
100 – 125	4 – 5	160	149	127
100 – 150	4 – 6	160	162	140
125 – 150	5 – 6	160	160	140
125 – 200	5 – 8	220	174	152
150 – 200	6 – 8	220	174	152
200 – 250	8 – 10	220	-	178
200 – 300	44903	220	-	203



GALVANISED 90° BENDS

mm	inches	Light Wall	Med Wall	Heavy Duty
		H (mm)	H (mm)	H (mm)
80	3	124	124	114
100	4	210	162	152
125	5	250	200	190
150	6	290	240	230
200	8	302	317	305
250	10	385	-	385
300	12	457	-	457

GALVANISED FITTINGS



Rodney Industries

**REAL PEOPLE
REAL PRODUCTS
REAL SOLUTIONS**



FLOATS & PONTOONS

ENGINEERED FOR STABILITY AND PERFORMANCE

With a wide range of standard sizes available, Rodney Industries offers Australian-made floats and pontoons built for tough local conditions. And if standard doesn't suit, our Sales and Design Team can customise to your needs.

Features Include:

- Single or double float designs
Variations on standard sizes available
- Metal-ferruled tethering lugs to prevent cable cutting/sawing
- Adjustable sled to match the batter (slope) angle of ponds, dams and rivers
- Compatible with suction lines, footvalves and submersible pumps

FLOATS & PONTOONS



FLOATS - SINGLE

DIA	Size		Code	Price
	Length	Load Capacity		
160	1500	15 kg	F1601500	553.80
200	1000	15 kg	F2001000	622.60
200	1500	21 kg	F2001500	638.50
200	2000	29 kg	F2002000	656.30
250	1500	34 kg	F2501500	760.30
315	1500	53 kg	F3151500	917.00
315	2000	71 kg	F3152000	1,003.40
315	2500	89 kg	F3152500	1,044.90
315	3000	106 kg	F3153000	1,086.70
355	2500	112 kg	F3552500	1,496.10
355	3000	135kg	F3553000	1,561.80

FLOATS - DOUBLE

DIA	Size		Code	Price
	Length	Load Capacity		
200	1500	43kg	FD2001500	1,979.30
200	2000	57kg	FD2002000	3,307.30
250	2500	111 kg	FD2502500	3,406.60
250	3000	134 kg	FD2503000	3,493.20
315	2500	177 kg	FD3152500	4,168.30
315	3000	250 kg	FD3153000	4,254.60
355	2500	225 kg	FD3552500	5,077.10
355	3000	269 kg	FD3553000	5,249.90
400	2500	285 kg	FD4002500	6,208.40
450	3000	433 kg	FD4503000	7,291.30



*Five lugs included on 160mm floats

FLOATS & PONTOONS

FLOAT DOUBLE C/W SUCTION PIPE CRADLE - FOAM FILLED



DIA	Size			Code	Price
	Length	Suction Pipe Cradle Size	Load Capacity		
125	2000	200	21 kg	FD1252000FF200	P.O.A
160	1200	125	21 kg	FD1601200FF125	P.O.A
160	1200	160	21 kg	FD1601200FF160	P.O.A
160	1200	180	21 kg	FD1601200FF180	P.O.A
160	1200	200	21 kg	FD1601200FF200	P.O.A
160	1200	225	21 kg	FD1601200FF225	P.O.A
160	1200	250	21 kg	FD1601200FF250	P.O.A
250	1200	315	52 kg	FD2501200FF315	P.O.A
250	1200	355	52 kg	FD2501200FF355	P.O.A
355	2000	355	220 kg	FD3552000FF355	P.O.A

PUMP PONTOONS



HASSLE FREE PUMP HANDLING & PROTECTION

Built from the ground up to be the most adaptable, unmanned floating structures. All of the UAT modular flotation systems support an enormous range of pumps (up to 5 tonne).

Multiple configurations are available with all designs being immensely robust. With the ability to package down into an extremely compact form factor, moving and storing the units is particularly easy. UAT's interchangeable component design will allow you to customise and grow your structure to suit your future needs.

Custom built for both submersible and surface pumps, these pump floats are made to last.

Complete protection for all of your pumps:

- Tough and durable
- A truly modular concept – all modules are interchangeable in a 'snap together' configuration
- Chemical resistant construction
- Handling advantages and options include Crane, Dozer, Excavator, Truck, Trailer, Workshop
- Efficient storage (small footprint and stackable)
- Easy to handle and manoeuvre

WHO IS IT FOR?









With proven designs to safely and easily position, handle and manoeuvre submersible pumps from 50kg to 5,000kg, we protect your most valuable assets.

For use in:

- Mining
- Utilities and Wastewater Treatment Plants
- Wastewater Ponds, Lagoons and Tanks
- Agribusiness, Feedlots, Piggeries, Dairies
- Abattoirs
- Heavy Industry
- Refineries
- Oil and Gas
- Recreational Water Bodies, Parks and Lakes
- Industry, Pulp and Paper Mills, Starch Factories

PUMP PONTOONS

FLOATS & PONTOONS

Example Image (actual colour will be BLUE)	Max Pump Weight (Kg)	Pontoon Assembled Weight Excluding Pump (Kg)	Assembled Dimensions L x W x H	Filling	Code	Price
	180kg	95	1916 x 1874 x 1341	Non Foam Filled	SK-300-A	\$5,672
	120kg	161	2390 x 1874 x 1847	Non Foam Filled	SK-300-AS	\$6,309
	450kg	148	1916 x 1874 x 1602	Non Foam Filled	SK-600-A	\$8,450
	400kg	214	2390 x 1874 x 2109	Non Foam Filled	SK-600-AS	\$10,302
	1800kg	467	2700 x 2260 x 2047	Non Foam Filled	SK-2000-A	\$8,796
	1400kg	750	2796 x 2260 x 3070	Non Foam Filled	SK-2000-AS	\$26,044
	1800kg	467	2700 x 2260 x 2047	Foam Filled	SK-2000-A-FF	\$19,678
	1400kg	750	2796 x 2260 x 3070	Foam Filled	SK-2000-AS-L-FF	\$30,096

* Actual colour will be blue

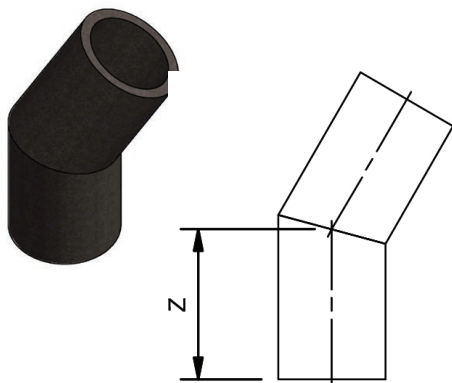


POLYETHYLENE FITTINGS

LIGHTWEIGHT STRENGTH FOR DEMANDING ENVIRONMENTS

Rodney Industries offers a comprehensive range of polyethylene fittings designed for durability, reliability and smooth flow performance across irrigation and water transfer systems. Our range includes segmented bends, sweep bends, stub flanges, Maxi Stubs, valve spacers, shouldered ends, moulded bends and tees, junctions, reducers, end caps and backing rings, supported by matching nuts, bolts and gasket kits. Lightweight, corrosion resistant and easy to handle, our poly fittings deliver dependable performance in demanding environments.

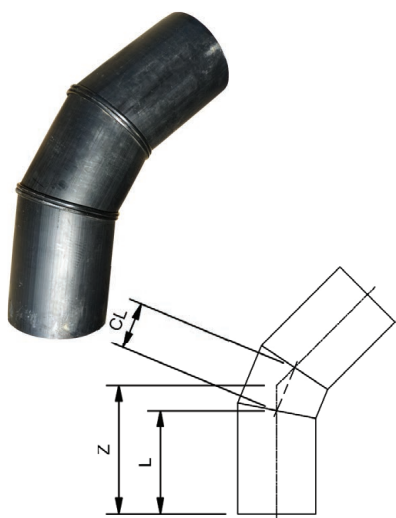
SEGEMENTED BENDS



SEGMENTED BENDS - 30°

Size		Code	Price	Code	Price
DN	Z	SDR17		SDR11	
250	350	SEG2503017	488.30	SEG2503011	563.00
280	363	SEG2803017	557.00	SEG2803011	660.20
315	428	SEG3153017	670.20	SEG3153011	815.60
355	443	SEG3553017	790.40	SEG3553011	979.10
400	461	SEG4003017	1,000.20	SEG4003011	1,249.50
450	481	SEG4503017	1,267.90	SEG4503011	1,597.30
500	551	SEG5003017	1,597.30	SEG5003011	2,069.50
560	575	SEG5603017	1,910.70	SEG5603011	2,526.10
630	603	SEG6303017	1,732.30	SEG6303011	3,279.50
710	635	SEG7103017	3,249.40	SEG7103011	2,543.00
800	671	SEG8003017	3,604.90	SEG8003011	3,718.50

POLYETHYLENE FITTINGS

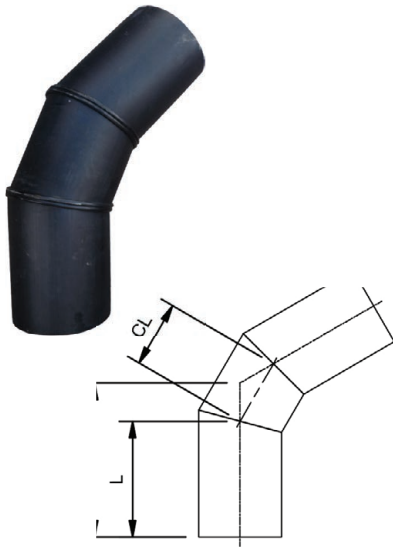


SEGMENTED BENDS - 45°

Size				Code	Price	Code	Price
DN	Z	L	CL	SDR17		SDR11	
250	412	330	150	SEG2504517	830.60	SEG2504511	922.80
280	474	383	167	SEG2804517	1,275.80	SEG2804511	1,392.60
315	498	395	190	SEG3154517	1,479.50	SEG3154511	1,657.00
355	520	406	211	SEG3554517	1,701.70	SEG3554511	1,991.50
400	548	420	238	SEG4004517	2,123.20	SEG4004511	2,438.30
450	580	435	270	SEG4504517	2,541.00	SEG4504511	2,938.10
500	665	501	306	SEG5004517	3,018.80	SEG5004511	3,593.80
560	698	517	334	SEG5604517	3,541.80	SEG5604511	4,312.00
630	741	538	375	SEG6304517	2,638.60	SEG6304511	5,202.30
710	791	582	428	SEG7104517	3,625.50	SEG7104511	3,741.20
800	847	611	455	SEG8004517	5,476.40	SEG8004511	5,767.60

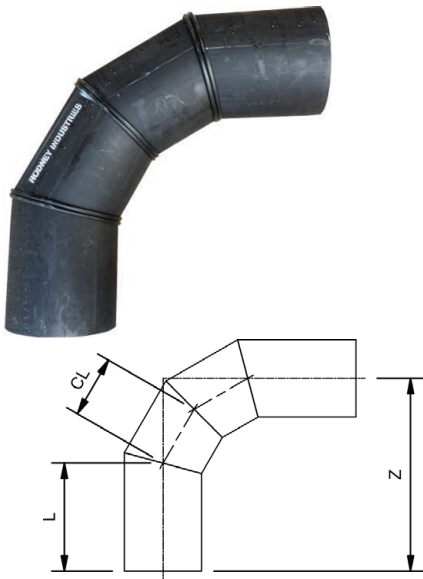
Please note: De-ration of our range of fabricated polyethylene fittings must be taken into account when designing a pipe system.

SEGEMENTED BENDS



SEGMENTED BENDS - 60°

DN	Size			Code	Price	Code	Price
	Z	L	CL				
250	466	350	201	SEG2506017	851.80	SEG2506011	986.20
280	492	363	225	SEG2806017	1,354.90	SEG2806011	1,508.60
315	576	428	256	SEG3156017	1,512.10	SEG3156011	1,705.20
355	608	443	286	SEG3556017	1,783.40	SEG3556011	2,052.90
400	646	461	322	SEG4006017	2,230.30	SEG4006011	2,597.40
450	689	481	362	SEG4506017	2,769.20	SEG4506011	3,279.50
500	783	551	402	SEG5006017	3,269.70	SEG5006011	3,964.20
560	835	575	450	SEG5606017	3,958.10	SEG5606011	4,776.20
630	896	603	506	SEG6306017	2,669.20	SEG6306011	6,086.30
710	965	635	570	SEG7106017	4,386.20	SEG7106011	5,570.50
800	1043	671	643	SEG8006017	5,962.30	SEG8006011	7,295.40



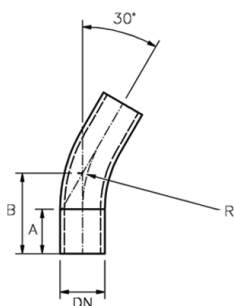
SEGMENTED BENDS - 90°

DN	Size			Code	Price	Code	Price
	Z	L	CL				
250	625	350	201	SEG2509017	1,584.80	SEG2509011	1,716.60
280	670	363	225	SEG2809017	1,777.90	SEG2809011	1,958.90
315	778	428	256	SEG3159017	1,983.40	SEG3159011	2,225.00
355	833	443	286	SEG3559017	2,405.90	SEG3559011	2,735.10
400	900	461	322	SEG4009017	2,936.10	SEG4009011	3,407.70
450	975	481	362	SEG4509017	3,507.80	SEG4509011	4,134.60
500	1100	551	402	SEG5009017	4,301.40	SEG5009011	5,450.00
560	1190	575	450	SEG5609017	5,219.70	SEG5609011	6,760.60
630	1295	603	506	SEG6309017	3,380.10	SEG6309011	7,688.80
710	1414	635	570	SEG7109017	5,236.80	SEG7109011	5,964.00
800	1550	671	643	SEG8009017	7,715.70	SEG8009011	10,242.40

Please note: De-ration of our range of fabricated polyethylene fittings must be taken into account when designing a pipe system.

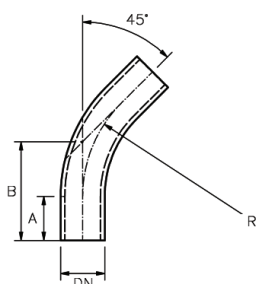
SWEEP BENDS

POLYETHYLENE FITTINGS



SWEEP BENDS - 30°

DN	Size			Code	Price	Code	Price
	B	A	R	SDR17		SDR11	
63	114	63	189	SW0633017	108.00	SW0633011	109.80
75	135	75	225	SW0753017	114.90	SW0753011	116.70
90	162	90	270	SW0903017	116.70	SW0903011	122.70
110	198	110	330	SW1103017	163.70	SW1103011	167.90
125	225	125	375	SW1253017	209.90	SW1253011	220.40
140	266	140	470	SW1403017	261.30	SW1403011	274.30
160	289	160	480	SW1603017	313.70	SW1603011	334.20
180	338	180	590	SW1803017	372.60	SW1803011	402.80
200	361	200	600	SW2003017	431.00	SW2003011	471.30
225	406	225	675	SW2253017	483.10	SW2253011	557.70
250	451	250	750	SW2503017	587.70	SW2503011	664.80
280	505	280	840	SW2803017	689.50	SW2803011	794.10
315	568	315	945	SW3153017	868.70	SW3153011	1,040.60
355	640	355	1065	SW3553017	1,037.40	SW3553011	1,272.80



SWEEP BENDS - 45°

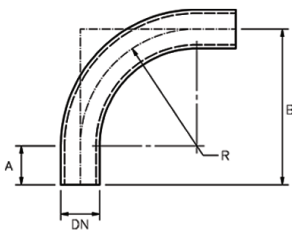
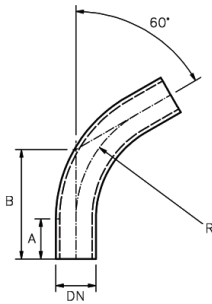
DN	Size			Code	Price	Code	Price
	B	A	R	SDR17		SDR11	
63	141	63	189	SW0634517	109.80	SW0634511	111.60
75	168	75	225	SW0754517	116.70	SW0754511	118.40
90	202	90	270	SW0904517	118.40	SW0904511	124.20
110	247	110	330	SW1104517	165.30	SW1104511	173.20
125	280	125	375	SW1254517	216.00	SW1254511	229.70
140	335	140	470	SW1404517	266.50	SW1404511	283.80
160	359	160	480	SW1604517	322.90	SW1604511	345.30
180	424	180	590	-	-	SW1804511	421.50
200	449	200	600	SW2004517	448.10	SW2004511	566.40
225	505	225	675	SW2254517	497.70	SW2254511	585.90
250	561	250	750	SW2504517	617.50	SW2504511	707.60
280	628	280	840	SW2804517	728.90	SW2804511	854.00
315	706	315	945	SW3154517	868.70	SW3154511	1,040.60
355	796	355	1065	SW3554517	1,049.90	SW3554511	1,293.50

Please note: The above dimensions are provided as a guide only. Accuracy of the above data is not guaranteed and dimensions may change without notice.



Hard Back Sweep Bends available upon request. Contact our Sales Department for more information and pricing.

SWEEP BENDS



SWEEP BENDS - 60°

Size				Code	Price	Code	Price
DN	B	A	R	SDR17		SDR11	
63	172	63	189	SW0636017	109.80	SW0636011	111.60
75	205	75	225	SW0756017	116.70	SW0756011	118.40
90	246	90	270	SW0906017	118.40	SW0906011	126.80
110	301	110	330	SW1106017	169.70	SW1106011	176.60
125	342	125	375	SW1256017	220.40	SW1256011	233.00
140	411	140	470	SW1406017	271.60	SW1406011	293.20
160	437	160	480	SW1606017	329.90	SW1606011	358.10
180	521	180	590	SW1806017	399.40	SW1806011	442.80
200	546	200	600	SW2006017	462.50	SW2006011	519.20
225	615	225	675	SW2256017	519.20	SW2256011	621.90
250	683	250	750	SW2506017	649.20	SW2506011	754.60
280	765	280	840	SW2806017	783.20	SW2806011	933.80
315	861	315	945	SW3156017	1,067.20	SW3156011	1,334.60
355	970	355	1065	SW3556017	1,146.90	SW3556011	1,437.30

SWEEP BENDS - 90°

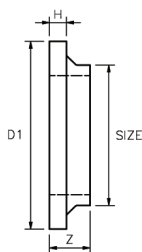
Size				Code	Price	Code	Price
DN	B	A	R	SDR17		SDR11	
63	252	63	189	SW0639017	109.80	SW0639011	113.00
75	300	75	225	SW0759017	118.40	SW0759011	122.70
90	360	90	270	SW0909017	124.20	SW0909011	132.10
110	440	110	330	SW1109017	173.20	SW1109011	184.20
125	500	125	375	SW1259017	227.10	SW1259011	247.70
140	610	140	470	SW1409017	287.00	SW1409011	313.70
160	640	160	480	SW1609017	349.60	SW1609011	384.60
180	770	180	590	-	-	SW1809011	483.10
200	800	200	600	SW2009017	496.00	SW2009011	568.10
225	900	225	675	SW2259017	557.70	SW2259011	694.80
250	1000	250	750	SW2509017	719.50	SW2509011	857.60
280	1120	280	840	SW2809017	870.30	SW2809011	1,814.40
315	1260	315	945	SW3159017	1,067.20	SW3159011	1,334.60
355	1420	355	1065	SW3559017	1,326.70	SW3559011	1,708.10

Please note:

The above dimensions are provided as a guide only. Accuracy of the above data is not guaranteed and dimensions may change without notice.

STUB FLANGES

POLYETHYLENE FITTINGS

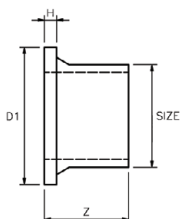


STUB FLANGE - SHORT SPIGOT

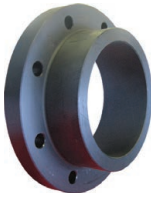
mm	Size			Code	Price	Code	Price
	D1	Z	H	SDR17		SDR11	
63	96	50	14	SF06317	11.30	SF06311	11.30
75	108	50	14	SF07517	12.50	SF07511	12.50
90	128	60	14	SF09017	15.40	SF09011	12.50
110	160	60	14	SF11017	19.70	SF11011	19.70
125	192	65	25	SF12517	23.70	SF12511	23.70
140	192	65	25	SF14017	36.30	SF14011	52.90
160	217	65	25	SF16017	34.90	SF16011	32.20
180	274	75	25	SF18017	52.90	SF18011	52.90
200	274	75	25	SF20017	58.50	SF20011	68.30
225	274	75	25	SF22517	64.00	SF22511	79.30
250	334	80	30	SF25017	94.70	SF25011	91.80
280	334	80	30	SF28017	103.10	SF28011	103.10
315	380	80	30	SF31517	122.50	SF31511	143.40
355	444	90	40	SF35517	155.90	SF35511	192.10
400	495	90	40	SF40017	199.00	SF40011	271.50
450	545	90	40	SF45017	258.80	SF45011	457.70
500	602	105	50	SF50017	336.70	SF50011	477.30
560	657	105	55	SF56017	477.30	SF56011	513.30
630	714	105	55	SF63017	525.90	SF63011	615.00

STUB FLANGE - LONG SPIGOT

mm	Size			Code	Price	Code	Price
	D1	Z	H	SDR17		SDR11	
63	96	91	14	SF06317EF	11.30	SF06311EF	11.30
75	108	96	14	SF07517EF	12.50	SF07511EF	12.50
90	128	106	14	SF09017EF	15.40	SF09011EF	15.40
110	160	116	14	SF11017EF	20.90	SF11011EF	20.90
125	192	126	25	SF12517EF	25.10	SF12511EF	28.00
140	192	132	25	SF14017EF	36.30	SF14011EF	39.00
160	217	142	25	SF16017EF	39.00	SF16011EF	43.20
180	274	157	25	SF18017EF	58.50	SF18011EF	58.50
200	274	157	25	SF20017EF	72.40	SF20011EF	79.30
225	274	200	25	SF22517EF	80.80	SF22511EF	80.80
250	334	205	30	SF25017EF	118.30	SF25011EF	136.30
280	334	280	30	SF28017EF	210.00	SF28011EF	160.20
315	444	280	30	SF31517EF	199.00	SF31511EF	211.50
355	495	290	40	SF35517EF	325.80	SF35511EF	350.10
400	545	290	40	SF40017EF	449.40	SF40011EF	637.70



MAXI STUBS



Note: Standard Maxi Stub - SDR 11 PE100 drilled to suit Table D backing ring. Other sizes available upon application.

MAXI STUB SHORT SPIGOT

Pipe Ø	Size		OD	Code	Price
	inches	mm			
125	4	100	215	MX412511D	36.80
160	5	125	225	MX516011D	51.70
180	6	150	280	MX618011D	59.80
200	6	150	280	MX620011D	165.20
225	8	200	335	MX822511D	427.70
250	8	200	335	MX825011D	126.30
280	9	225	370	MX928011D	245.50
280	10	250	405	MX1028011D	173.80
315	10	250	405	MX1031511D	230.70
355	12	300	455	MX1235511D	286.70

MAXI STUB LONG SPIGOT SUITABLE FOR ELECTROFUSION OR BUTTWELDING

Pipe Ø	Size		OD	Code	Price
	inches	mm			
125	4	100	215	MX412511DEF	52.80
180	6	150	280	MX618011DEF	76.90
250	8	200	335	MX825011DEF	133.10
315	10	250	405	MX1031511DEF	257.60
355	12	300	455	MX1235511DEF	315.40



BACKING RING TO SUIT MAXI STUB

Backing Ring	Size		Pipe	Code	Price
	mm	inches			
100	4	125	BRX4140D	57.40	
125	5	160	BRX5160D	92.30	
150	6	200	BRX6200D	24.10	
200	8	250	BRX8250D	47.10	
225	9	280	BRX9280D	119.40	
250	10	315	BRX10315D	54.00	
300	12	355	BRX12355D	140.00	



MAXI STUB ASSEMBLY COMPLETE WITH STAINLESS STEEL 316 BACKING RING

Pipe Ø	Size		OD	Code	Price
	inches	mm			
125	4	100	215	MX412511EFASSY	125.70
180	6	150	280	MX618011EFASSY	194.40
200	6	150	280	MX620011EFASSY	373.60
225	8	200	335	MX822511EFASSY	682.40
250	8	200	335	MX825011EFASSY	305.10
280	9	225	370	MX928011EFASSY	482.60
315	10	250	405	MX1031511EFASSY	471.90
355	12	300	455	MX1235511EFASSY	582.90



POLYETHYLENE FITTINGS

SPACERS AND SHOULDERED ENDS

POLYETHYLENE FITTINGS



STUB FLANGE - CHAMFERED FOR BUTTERFLY VALVE SDR11

Size	Code	Price
110	SF11011EFBV	44.70
160	SF16011EFBV	65.70
200	SF20011EFBV	115.40
225	SF22511EFBV	115.40
250	SF25011EFBV	189.40
280	SF28011EFBV	193.70
315	SF31511EFBV	307.50



VALVE SPACER - WAFER STYLE

Pipe OD	Spacer OD	Size				Code	Price
		ID-1	ID-2	THK	Angle		
110	160	89	99	14	20	VSW11011	8.80
125	192	102	125	25	25	VSW12511	20.50
140	192	114	132	25	20	VSW14011	48.20
160	213	130	153	25	25	VSW16011	20.50
200	270	163	209	40	30	VSW20011	48.20
225	270	183	206	25	25	VSW22511	29.20
250	334	203	259	60	25	VSW25011	108.10
280	334	228	263	30	30	VSW28011	61.40
315	380	256	325	60	30	VSW31511	137.50
355	444	289	358	60	30	VSW35511	179.80
400	495	325	418	100	25	VSW40011	260.00
450	545	366	459	100	25	VSW45011	409.10
500	602	407	500	100	25	VSW50011	482.10



SHOULDERED ENDS

Size	Code	Price	Code		Price
			SDR17	SDR11	
90	SE09017	23.70	SE09011	23.70	
90	SE09017EF	23.70	SE09011EF	23.70	
110	SE11017	25.10	SE11011	25.10	
110	SE11017EF	28.00	SE11011EF	28.00	
160	SE16017	39.00	SE16011	39.00	
160	SE16017EF	47.50	SE16011EF	47.50	
200	SE20017	91.80	SE20011	91.80	
225	SE22517	98.90	SE22511	98.90	

Note: EF Codes represent Long Spigot Shouldered Ends. Not suitable for Electrofusion.

NUTS BOLTS AND GASKETS KITS

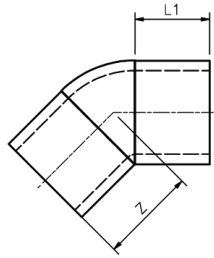


NUTS, BOLTS AND GASKET KITS

Gasket Size mm	Nut & Bolt Qty	Washer Qty	Code	Price
63	4	8	GK063D	61.40
75	4	8	GK075D	61.40
90	4	8	GK090D	68.10
110	4	8	GK110D	73.90
125	8	16	GK125D	92.10
140	8	16	GK140D	92.10
160	8	16	GK160D	92.10
180	8	16	GK180D	105.80
200	8	16	GK200D	105.80
225	8	16	GK225D	105.80
250	8	16	GK250D	133.00
280	12	24	GK280D	133.00
315	12	24	GK315D	176.00
355	12	24	GK355D	265.40
400	12	24	GK400D	268.80
450	12	24	GK450D	268.80
500	16	32	GK500D	363.00
560	16	32	GK560D	153.60
630	16	32	GK630D	1,013.60
710	16	32	GK710D	181.60

POLYETHYLENE FITTINGS

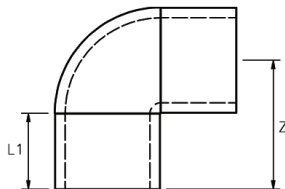
MOULDED BENDS



ELBOWS 45° MOULDED – BW & EF

mm	Size		Code	Price	Code	Price
	L1	Z				
75	80	124	ELB0754517EF	16.80	ELB0754511EF	16.80
90	85	136	ELB0904517EF	20.90	ELB0904511EF	20.90
110	87	145	ELB1104517EF	32.20	ELB1104511EF	32.20
125	87	150	ELB1254517EF	39.00	ELB1254511EF	39.00
160	98	175	ELB1604517EF	66.80	ELB1604511EF	66.80
180	105	183	ELB1804517EF	83.50	ELB1804511EF	83.50
200	110	193	ELB2004517EF	103.10	ELB2004511EF	105.70
225	125	215	ELB2254517EF	166.90	ELB2254511EF	179.60
250	130	232	ELB2504517EF	203.20	ELB2504511EF	243.50
280	140	250	ELB2804517EF	261.50	ELB2804511EF	293.60
315	150	270	ELB3154517EF	675.50	ELB3154511EF	774.00

POLYETHYLENE FITTINGS

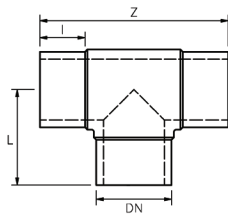


ELBOWS 90° MOULDED – BW & EF

mm	Size		Code	Price	Code	Price
	L1	Z				
75	75	132	ELB0759017EF	16.80	ELB0759011EF	16.80
90	85	150	ELB0909017EF	20.90	ELB0909011EF	20.90
110	89	163	ELB1109017EF	32.20	ELB1109011EF	32.20
125	90	170	ELB1259017EF	39.00	ELB1259011EF	39.00
160	103	200	ELB1609017EF	66.80	ELB1609011EF	66.80
180	96	210	ELB1809017EF	83.50	ELB1809011EF	83.50
200	104	225	ELB2009017EF	108.70	ELB2009011EF	111.50
225	125	265	ELB2259017EF	166.90	ELB2259011EF	186.50
250	130	290	ELB2509017EF	239.30	ELB2509011EF	253.20
280	140	315	ELB2809017EF	306.10	ELB2809011EF	336.70
315	150	355	ELB3159017EF	522.20	ELB3159011EF	622.30

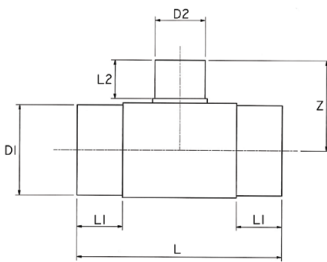
TEES

TEES MOULDED - LONG SPIGOT



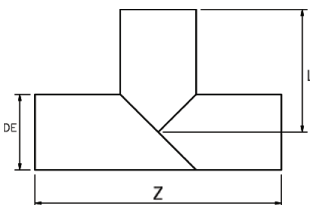
Size				Code	Price	Code	Price
DN	L	Z	I	SDR17		SDR11	
63	110	220	63	TM06317EF	19.10	TM06311EF	19.70
75	132	264	75	TM07517EF	28.00	TM07511EF	20.90
90	150	300	85	TM09017EF	39.00	TM09011EF	30.70
110	163	326	87	TM11017EF	55.70	TM11011EF	55.70
125	170	341	87	TM12517EF	68.30	TM12511EF	68.30
140	190	380	98	TM14017EF	150.30	TM14011EF	174.00
160	210	400	96	TM16017EF	115.50	TM16011EF	115.50
180	205	410	96	TM18017EF	136.30	TM18011EF	136.30
200	225	450	100	TM20017EF	192.10	TM20011EF	203.20
225	265	530	12	TM22517EF	299.20	TM22511EF	339.50
250	300	600	130	TM25017EF	374.40	TM25011EF	480.00
280	315	632	138	TM28017EF	480.00	TM28011EF	548.30
315	355	710	150	TM31517EF	605.30	TM31511EF	873.60
355*	330	660	110	TM35517EF	1,343.70	TM35511EF	1,793.20

TEES MOULDED - REDUCING LONG SPIGOT



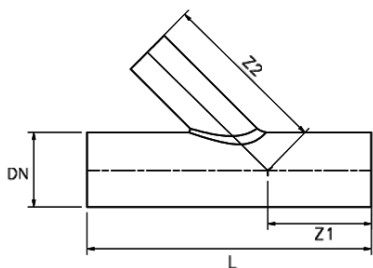
Size						Code	Price	Code	Price
D1	D2	L	L1	L2	Z	SDR17		SDR11	
110	63	300	85	85	161	TMR1106317EF	60.00	TMR1106311EF	62.80
110	75	300	87	85	162	TMR1107517EF	62.80	TMR1107511EF	64.00
110	90	300	89	85	162	TMR1109017EF	62.80	TMR1109011EF	64.00
160	63	330	91	90	191	TMR1606317EF	142.10	TMR1606311EF	147.50
160	75	330	92	90	191	TMR1607517EF	146.20	TMR1607511EF	150.30
160	90	330	92	90	189	TMR1609017EF	147.50	TMR1609011EF	154.60
160	110	330	91	90	188	TMR16011017EF	151.70	TMR16011011EF	155.90
200	110	450	100	85	200	TMR20011017EF	317.30	TMR20011011EF	329.70
200	160	450	100	100	450	TMR20016017EF	322.80	TMR20016011EF	336.70
250	110	600	130	80	405	TMR25011017EF	484.20	TMR25011011EF	536.90
250	160	600	130	100	475	TMR25016017EF	548.30	TMR25016011EF	548.30

TEES - FABRICATED



Size			Code	Price	Code	Price
DE	Z	L	SDR17		SDR11	
315	760	380	TF31517	1,360.70	TF31511	1,516.40
355	800	400	TF35517	1,507.70	TF35511	1,799.60
400	960	480	TF40017	1,886.40	TF40011	2,344.90
450	1010	505	TF45017	2,229.90	TF45011	2,897.30
500	1060	530	TF50017	2,581.60	TF50011	3,380.20
560	1190	595	TF56017	3,780.70	TF56011	3,838.80
630	1190	595	TF63017	4,777.50	TF63011	6,243.30

JUNCTIONS



JUNCTIONS - 45° EQUAL FABRICATED LONG SPIGOT

DN	Size			Code	Price	Code	Price
	L	Z1	Z2	SDR17		SDR11	
110	700	275	425	J1104517	144.50	JF1104511	139.00
125	745	290	455	J1254517	169.00	J1254511	190.10
160	840	330	510	J1604517	268.90	J1604511	387.90
200	960	370	590	J2004517	501.80	J2004511	637.40
225	1080	425	655	J2254517	692.70	J2254511	692.70
250	1155	450	705	J2504517	1,000.90	J2504511	1,000.90
280	1245	490	755	J2804517	1,286.20	J2804511	1,286.20
315	1340	525	815	J3154517	1,617.90	J3154511	1,617.90
355	1455	575	880	J3554517	2,378.70	J3554511	2,378.70
400	1550	600	950	J4004517	2,499.60	J4004511	3,024.90
450	1625	625	1000	J4504517	2,954.20	J4504511	4,042.90
500	1700	650	1050	J5004517	3,476.60	J5004511	4,391.60
560	1904	728	1176	J5604517	4,697.90	J5604511	5,988.30
630	2147	819	1323	J6304517	6,151.40	J6304511	7,986.30

POLYETHYLENE FITTINGS

END CAPS



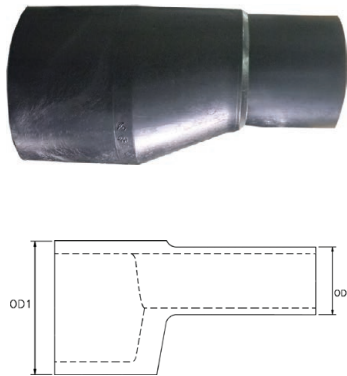
END CAPS DOMED - LONG SPIGOT*

Size	Code	Price	Code	Price
	SDR17		SDR11	
63	ECD06317	15.40	ECD06311	15.40
75	ECD07517	15.40	ECD07511	15.40
90	ECD09017	18.20	ECD09011	18.20
110	ECD11017	22.40	ECD11011	25.10
125	ECD12517	29.20	ECD12511	32.20
140	ECD14017	66.80	ECD14011	66.80
160	ECD16017	68.30	ECD16011	68.30
180	ECD18017	69.60	ECD18011	69.60
200	ECD20017	73.90	ECD20011	83.50
225	ECD22517	76.70	ECD22511	104.40
250	ECD25017	79.30	ECD25011	123.90
280	ECD28017	87.70	ECD28011	162.80
315	ECD31517	111.50	ECD31511	206.10
355	ECD35517	125.30	ECD35511	438.30
400	ECD40017	183.80	ECD40011	623.20

* Long spigot not suitable for electrofusion.

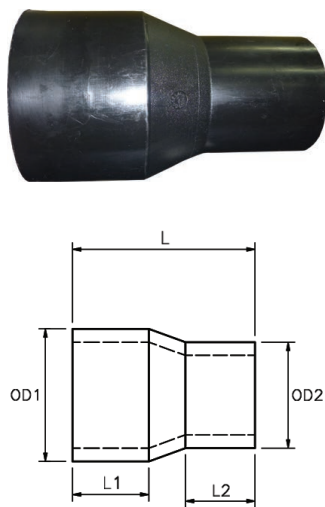
REDUCERS

REDUCERS ECCENTRIC - LONG SPIGOT



Size		Code	Price	Code	Price
OD1	OD2	SDR17		SDR 11	
90	63	RE09006317EF	36.30	RE09006311EF	68.80
90	75	RE09007517EF	36.30	RE09007511EF	39.00
110	63	RE11006317EF	48.90	RE11006311EF	52.90
110	90	RE11009017EF	48.90	RE11009011EF	52.90
125	63	RE12506317EF	58.50	RE12506311EF	64.00
125	90	RE12509017EF	58.50	RE12509011EF	64.00
125	110	RE12511017EF	58.50	RE12511011EF	137.80
140	125	RE14012517EF	83.50	RE14012511EF	91.80
160	90	RE16009017EF	114.20	RE16009011EF	122.50
160	110	RE16011017EF	114.20	RE16011011EF	122.50
160	125	RE16012517EF	114.20	RE16012511EF	122.50
160	140	RE16014017EF	114.20	RE16014011EF	122.50
180	90	RE18009017EF	146.20	RE18009011EF	158.60
180	125	RE18012517EF	146.20	RE18012511EF	158.60
180	160	RE18016017EF	146.20	RE18016011EF	158.60
200	160	RE20016017EF	160.20	RE20016011EF	174.00
200	180	RE20018017EF	160.20	RE20018011EF	174.00
225	160	RE22516017EF	257.50	RE22516011EF	278.30
225	180	RE22518017EF	257.50	RE22518011EF	278.30
225	200	RE22520017EF	257.50	RE22520011EF	278.30
250	200	RE25020017EF	338.10	RE25020011EF	366.00
250	225	RE25022517EF	338.10	RE25022511EF	366.00

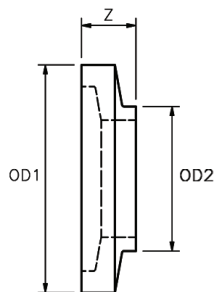
REDUCERS CONCENTRIC - LONG SPIGOT



Size					Code	Price	Code	Price
OD1	OD2	L	I1	I2	SDR 17		SDR 11	
75	63	127	61	57	RC07506317EF	15.40	RC07506311EF	15.40
90	63	190	85	75	RC09006317EF	20.90	RC09006311EF	20.90
90	75	145	71	61	RC09007517EF	20.90	RC09007511EF	20.90
110	90	166	83	71	RC11009017EF	28.00	RC11009011EF	28.00
125	63	210	85	85	RC12506317EF	34.90	RC12506311EF	34.90
125	90	182	87	71	RC12509017EF	28.00	RC12509011EF	28.00
125	110	210	105	105	RC12511017EF	30.70	RC12511011EF	30.70
140	125	210	105	105	RC14012517EF	47.50	RC14012511EF	51.50
160	90	320	105	105	RC16009017EF	64.00	RC16009011EF	64.00
160	110	320	115	105	RC16011017EF	55.70	RC16011011EF	58.50
160	125	320	115	105	RC16012517EF	55.70	RC16012511EF	58.50
200	160	360	120	105	RC20016017EF	94.70	RC20016011EF	96.00

REDUCERS

POLYETHYLENE FITTINGS



REDUCERS CONCENTRIC - SHORT SPIGOT

Size		Code	Price	Code	Price
OD1	OD2	SDR17		SDR11	
180	125	RC18012517	64.00	RC18012511	66.80
180	160	RC18016017	80.80	RC18016011	80.80
200	110	RC20011017	55.70	RC20011011	55.70
200	140	RC20014017	166.90	RC20014011	174.00
200	160	RC20016017	94.70	RC20016011	96.00
200	180	RC20018017	60.00	RC20018011	98.90
225	140	RC22514017	201.90	RC22514011	211.50
225	160	RC22516017	142.10	RC22516011	158.60
225	180	RC22518017	150.30	RC22518011	158.60
225	200	RC22520017	83.50	RC22520011	83.50
250	160	RC25016017	87.70	RC25016011	87.70
250	200	RC25020017	90.70	RC25020011	90.70
250	225	RC25022517	87.70	RC25022511	87.70
280	200	RC28020017	257.50	RC28020011	267.30
280	225	RC28022517	239.30	RC28022511	242.20
280	250	RC28025017	231.90	RC28025011	243.50
315	200	RC31520017	378.50	RC31520011	397.90
315	225	RC31522517	291.70	RC31522511	306.10
315	250	RC31525017	219.90	RC31525011	230.80
315	280	RC31528017	247.60	RC31528011	325.80
355	200	RC35520017	194.80	RC35520011	803.50
355	250	RC35525017	194.80	RC35525011	392.40
355	280	RC35528017	182.30	RC35528011	303.40
355	315	RC35531517	186.50	RC35531511	424.50
400	200	RC40020017	211.50	RC40020011	994.30
400	250	RC40025017	211.50	RC40025011	1,510.90
400	280	RC40028017	925.60	RC40028011	875.10
400	315	RC40031517	199.00	RC40031511	413.20
400	355	RC40035517	271.50	RC40035511	425.60
450	200	RC45020017	257.50	RC45020011	1,101.80
450	250	RC45025017	265.80	RC45025011	468.00
450	315	RC45031517	265.80	RC45031511	1,082.30
450	355	RC45035517	1,081.80	RC45035511	1,210.60
450	400	RC45040017	896.00	RC45040011	1,082.30
500	315	RC50031517	1,383.60	RC50031511	982.20
500	355	RC50035517	449.40	RC50035511	1,407.90
500	400	RC50040017	466.20	RC50040011	619.20
500	450	RC50045017	517.70	RC50045011	571.80
560	400	RC56040017	517.70	RC56040011	730.50
560	450	RC56045017	517.70	RC56045011	870.80
630	400	RC63040017	1,722.90	RC63040011	4,060.10
630	450	RC63045017	619.20	RC63045011	1,537.20

BACKING RINGS



BACKING RINGS - TABLE D GALVANISED STEEL

Poly pipe OD	Size		Code	Price
	Flange Size	THK		
63	50	10	BR063D2	14.00
75	65	10	BR075D2	15.40
90	80	10	BR090DE	P.O.A
110	100	10	BR110D2	29.20
125	125	13	BR125D2	43.20
140	125	13	BR140D2	37.70
160	150	13	BR160D2	43.20
180	150	13	BR180D2	37.70
200	200	13	BR200D2	54.30
225	200 (8")	13	BR225D2	52.90
250	250	16	BR250D2	101.70
280	250	16	BR280D2	98.90
315	300	19	BR315D2	139.40
355	350	22	BR355DE	P.O.A
400	400	22	BR400D2	218.60
450	450	25	BR450D2	313.20
500	500	29	BR500D2	404.90
560	550	32	BR560D2	363.10
630	600	32	BR630D2	553.70
710	700	35	BR710D2	647.00
800	800	38	BR800D2	1,135.10
1000	1000	51	BR1000D2	1,647.10

BACKING RINGS - TABLE E GALVANISED STEEL

Poly pipe OD	Size		Code	Price
	Flange Size	THK		
63	50	10	BR063E2	14.00
75	65	10	BR075E2	15.40
90	80	12	BR090DE	P.O.A
110	100	13	BR110E2	29.20
125	125	13	BR125E2	44.70
140	125	14	BR140E2	39.00
160	150	17	BR160E2	52.90
180	150	17	BR180E2	48.90
200	200	19	BR200E2	71.10
225	200 (8")	19	BR225E2	68.30
250	250	22	BR250E2	115.50
280	250	22	BR280E2	109.90
315	300	25	BR315E2	147.50
355	350	29	BR355E2	261.50
400	400	32	BR400E2	317.30
450	450	35	BR450E2	431.30
500	500	38	BR500E2	531.30
560	550	44	BR560E2	653.90
630	600	48	BR630E2	819.40
710	700	51	BR710E2	912.60
800	800	54	BR800E2	1,487.20
900	900	64	BR900E2	2,060.30
1000	1000	67	BR1000E2	2,113.10

POLYETHYLENE FITTINGS

BACKING RINGS



BACKING RINGS - ANSI GALVANISED STEEL

Poly pipe OD	Size		Code	Price
	Flange Size	THK		
63	50	10	BR063AA105	31.80
75	65	10	BR075A	36.30
90	80	11	BR090AA105	36.90
110	100	13	BR110A	58.50
125	125	14	BR125A	72.40
140	125	14	BR140A	93.40
160	150	17	BR160A	117.10
180	150	17	BR180AA105	60.30
200	200	19	BR200AA105	108.40
225	200 (8")	19	BR225A	P.O.A
250	250	22	BR250A	160.20
280	250	22	BR280A	147.50
315	300	25	BR315A	244.80
355	350	29	BR355A	336.70
400	400	32	BR400A	429.80
450	450	32	BR450AA105	449.40
500	500	43	BR500A	510.60
560	550	48	BR560A	660.90
630	600	50	BR630A	708.20
710	700	50	BR710A	653.50
800	800	60	BR800A	P.O.A

BLANK FLANGE - GALVANISED STEEL

Poly pipe OD	Size	Table D		Table E	
		Code	Price	Code	Price
63	2"	BF063DE	28.50	BF063DE	28.50
75	2.5"	BF075DE	28.50	BF075DE	28.50
90	3"	BF090E	30.00	BF090E	30.00
110	4"	BF110D	46.80	BF110E	46.80
125	5"	BF125D	72.40	BF125E	72.40
160	6"	BF160D	104.60	BF160E	104.60
200	8"	BF225D	138.00	BF225E	160.20
250	10"	BF280D	200.10	BF280E	267.50
315	12"	BF315D	312.00	BF315E	406.20
355	14"	BF355D	479.30	BF355E	786.50
400	16"	BF400D	587.80	BF400E	844.40
450	18"	BF450D	P.O.A	BF450E	943.80
500	20"	BF500D	P.O.A	BF500E	1,327.20
630	24"	BF630D	P.O.A	BF630E	P.O.A
710	28"	BF710D	P.O.A	BF710E	3,890.60
800	32"	BF800D	P.O.A	BF800E	P.O.A
1000	40"	BF1000D	P.O.A	BF1000E	P.O.A

POLYETHYLENE FITTINGS

BACKING RINGS



BACKING RINGS - TABLE D 316 STAINLESS STEEL

Size		Code	Price
Poly Pipe OD	Flange Size		
63	2"	BRS063D	50.00
75	2 1/2"	BRS075D	57.00
90	3"	BRS090E	68.40
110	4"	BRS110D	108.20
125	5"	BRS125D	162.40
140	5"	BRS140D	142.70
160	6"	BRS160D	168.10
180	6"	BRS180D	143.90
200	8"	BRS200D	206.70
225	8"	BRS225D	200.90
250	10"	BRS250D	427.50
280	10"	BRS280D	413.10
315	12"	BRS315D	582.50
355	14"	BRS355D	809.10
400	15"	BRS400D	918.70
450	16"	BRS450D	1,314.70
500	18"	BRS500D	1,707.60
560	20"	BRS560D	1,531.20
630	24"	BRS630D	2,331.30
710	28"	BRS710D	2,676.00
800	32"	BRS800D	4,883.60
1000	40"	BRS1000D	6,928.60

BACKING RINGS - TABLE E 316 STAINLESS STEEL

Size		Code	Price
Poly Pipe OD	Flange Size		
63	2"	BRS063E	50.00
75	2 1/2"	BRS075E	57.00
90	3"	BRS090E	68.40
110	4"	BRS110E	108.20
125	5"	BRS125E	175.40
140	5"	BRS140E	153.90
160	6"	BRS160E	212.10
180	6"	BRS180E	195.20
200	8"	BRS200E	294.80
225	8"	BRS225E	286.40
250	10"	BRS250E	482.90
280	10"	BRS280E	460.10
315	12"	BRS315E	616.80
355	14"	BRS355E	1,102.50
400	15"	BRS400E	1,335.80
450	16"	BRS450E	1,813.10
500	18"	BRS500E	2,236.00
560	20"	BRS560E	2,755.90
630	24"	BRS630E	3,455.00
710	28"	BRS710E	3,842.30
800	32"	BRS800E	6,670.90
1000	40"	BRS1000E	8,990.80

POLYETHYLENE FITTINGS



Rodney **Industries**

M48

**STRENGTH IN
EVERY DETAIL.**



IRRIGATION FITTINGS

RELIABLE CONNECTIONS FOR EVERY IRRIGATION SYSTEM

Rodney Industries' irrigation fittings are engineered to deliver strong, secure and efficient flow across a wide range of water transfer applications. Our range includes joiners, couplers, adaptors, weld bells, clamps and gaskets, and Bauer-style fittings – all designed to withstand demanding conditions while ensuring dependable performance, easy installation and long-lasting reliability. footvalves and submersible pumps

JOINERS & COUPLERS



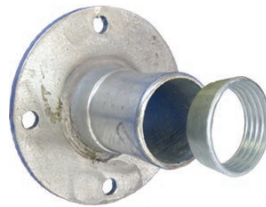
PLAIN TO HALF JOINER

Inch	Code	Price
3" x 3½"	10004	156.30
4" x 3"	10989	158.10
4" x 3½"	9899	173.00
4" x 4"	10012	177.20
4" x 5"	10024	232.10
5" x 3½"	9987	232.10
5" x 4"	9988	236.00
5" x 4½"	9989	286.30
5" x 5"	10999	289.50
5" x 6"	10025	307.00
6" x 4"	10023	255.10
6" x 5"	9900	291.90
6" x 6"	10998	315.90

THREADED TO HALF JOINER

Inch	Code	Price
2½" x 2½"	9927	156.40
2" x 3"	9929	155.00
2½" x 3"	9930	156.40
3" x 2½"	9926	163.40
3" x 3"	9931	163.40
2½" x 3½"	9932	171.70
3" x 3½"	9933	178.40
2½" x 4"	9934	175.40
3" x 4"	9935	181.50
4" x 3½"	9937	184.70
4" x 4"	9936	189.90
4" x 4½"	9938	240.70
4" x 6"	9939	303.70

IRRIGATION FITTINGS



FLANGE TO HALF JOINER

Inch	Code	Price
2" x 2½"	9944	156.30
2½" x 3"	9946	173.00
3" x 3"	9947	177.20
4" x 2½"	10033	174.70
4" x 3"	9948	180.40
3" x 3½"	9949	190.70
4" x 3½"	9950	204.90
5" x 3½"	9951	218.40
6" x 3½"	9952	229.10
3" x 4"	9953	197.00
4" x 4"	9964	237.80

FLANGE TO HALF JOINER

Inch	Code	Price
4" x 5"	9961	241.80
5" x 4"	9954	220.20
6" x 4"	9955	236.00
4" x 4½"	9956	220.20
5" x 4½"	9957	277.60
6" x 4½"	9958	284.60
5" x 5"	10007	249.50
5" x 6"	10008	276.00
6" x 5"	9960	286.30
6" x 6"	9962	291.90

JOINERS & COUPLERS



HOSE JOINER

Inch	Code	Price
2"	9980	79.10
2½"	9981	80.50
3"	9982	82.30
3½"	9983	98.20
4"	9984	106.90
4½"	9985	184.40
5"	10005	201.10
6"	10006	239.30



HOSE JOINER REDUCING

Inch	Code	Price
2 ½" x 3"	10031	147.50
3" x 3½"	10003	171.60
3" x 4"	9986	174.70
3½" x 4"	9978	195.50
4" x 4½"	9979	202.50



COUPLER JOINER

Inch	Code	Price
3" x 3"	9973	378.90
4" x 3"	9974	505.60
4" x 4"	9975	414.10



RING TYPE COUPLER - (HOSETAIL X COUPLER)

Inch	Code	Price
2½" x 3"	9990	173.00
2½" x 4"	9996	178.70
3" x 3"	9991	177.20
3½" x 3"	10002	216.90
3" x 4"	9992	211.20
3½" x 4"	9997	234.30
3½" x 5"	10014	280.80
4" x 4"	9998	206.60
4" x 5"	10015	284.60
4½" x 4"	9999	277.60
4" x 3"	10000	225.00
4½" x 5"	10001	333.50
5" x 4"	10010	307.00
5" x 5"	10018	364.40
6" x 6"	10016	380.40



STANDARD COUPLER (HOSETAIL X COUPLER)

Inch	Code	Price
3" x 4"	10009	472.90
3½" x 4"	9993	412.30
4" x 4"	9994	429.00
4½" x 4"	9995	476.00

FLANGED FITTINGS



FLANGE TO BELL

Inch	Code	Price
2½" x 3"	9959	236.00
3" x 3"	9965	239.30
4" x 3"	9969	277.60
3" x 4"	9968	291.90
4" x 4"	9963	300.70
5" x 4"	9967	319.00
5" x 5"	10019	283.20
6" x 4"	9966	333.50
6" x 6"	10017	353.30
6" x 8"	10020	435.60
8" x 8"	10021	391.00



MAINLINE ADAPTOR (BELL X SPIGOT)

Inch	Code	Price
3" x 3"	9970	264.00
3" x 4"	9971	284.60
3" x 5"	10011	297.40
4" x 4"	9972	303.70
4" x 5"	9976	314.30
4" x 6"	10032	321.60
5" x 5"	10022	322.90

IRRIGATION FITTINGS



FLANGE TO BELL NO LUGS \ LINKS

Inch	Code	Price
3" x 3"	9965HAB	POA
4" x 4"	9963HA	195.50
5" x 5"	10019HA	255.10
6" x 6"	10017HA	291.90
8" x 8"	10021HA	490.40



FLANGE TO MALE SPIGOT

Inch	Code	Price
3" x 3"	9965MSA	255.10
4" x 4"	9963MSA	261.50
5" x 5"	10019MSA	335.00
6" x 6"	10017MSA	366.10
8" x 8"	10021MSA	540.60

WELD BELLS



WELD BELLS C/W LUGS AND LINKS (BLACK)

Inch	mm	Code	Price
3"	80	9922	152.40
4"	100	9923	134.80
5"	125	9294	177.20
6"	150	9295	208.20
8"	200	9315	216.90



WELD BELLS C/W LUGS AND LINKS (GALVANIZED)

Inch	mm	Code	Price
3"	80	9920	159.50
4"	100	9921	164.40
5"	125	9290	187.50
6"	150	9291	220.20
8"	200	9313	236.00



WELD BELLS W/O LUGS AND LINKS (BLACK)

Inch	mm	Code	Price
3"	80	9297	68.60
4"	100	9298	87.90
5"	125	9299	103.80
6"	150	9300	128.50
8"	200	9317	177.90



THREAD TO WELD BELLS C/W LUGS AND LINKS (GALVANIZED)

Inch	mm	Code	Price
4" x 4"	100 x 100	10026	362.80
5" x 5"	125 x 125	10027	382.80
4" x 5"	100 x 125	10028	374.80

IRRIGATION FITTINGS

*Note: All Weld Bells supplied with round-back gaskets

CLAMPS AND INSERTS



WELD BELL CLAMPS (TRAVIS CLAMPS)

Inch	mm	Code	Price
4"	100	9304	76.50
5"	125	9305	78.40
6"	150	9306	95.70
8"	200	9321	103.80



ROUND BACK GASKETS

Inch	mm	Code	Price
3"	80	9924	8.10
4"	100	9925	11.30
5"	125	9310	16.70
6"	150	9312	21.60
8"	200	9319	24.80

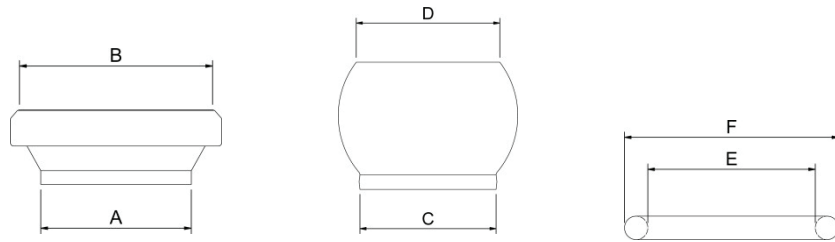


JOINER RING ONLY

Inch	Code	Price
2"	9901	23.00
2½"	9902	23.00
3"	9903	24.80
3½"	9904	26.50
4"	9905	28.00
4½"	9906	31.10
5"	9908	32.80

IRRIGATION FITTINGS

BAUER STYLE FITTINGS



SIZE		FEMALE COUPLING		MALE COUPLING		RUBBER SEAL	
INCHES	MM	A	B	C	D	E	F
2	50	48.5	72	50	48.5	62	80.6
3	76	76	98	81	76	88.5	114.5
3.5	89	89	121	93	89	108	134
4	108	108	147	112	108	132	162
5	133	132	163	137	132	152	188
6	159	158	182	155	158	170	208
8	194	194	231	200	194	220	258



BLACK STEEL COUPLING COMPLETE WITH RUBBER SEAL

Inch	mm	Code	Price
2	50	12000	50.80
3	76	12002	68.70
3.5	89	12004	98.90
4	108	12006	117.00
5	133	12008	165.10
6	159	12010	200.20

BLACK STEEL MALE COUPLING

Inch	mm	Code	Price
2	50	12014	11.60
3	76	12016	11.60
3.5	89	12018	18.90
4	108	12020	23.70
5	133	12022	27.00
6	159	12024	38.60
8	194	12026	68.70

IRRIGATION FITTINGS

BAUER STYLE FITTINGS



GALVANIZED STEEL LEVER RING

Inch	mm	Code	Price
2	50	12028	38.60
3	76	12030	55.60
3.5	89	12032	76.10
4	108	12034	94.00
5	133	12036	147.20
6	159	12038	188.90
8	194	12040	293.40



BLACK STEEL FEMALE COUPLING WITH RUBBER SEAL

Inch	mm	Code	Price
2	50	12042	18.90
3	76	12044	18.90
3.5	89	12046	27.00
4	108	12048	35.20
5	133	12050	49.10
6	159	12052	65.40
8	194	12054	81.00



RUBBER O-RING SEAL

Inch	mm	Code	Price
2	50	12056	6.50
3	76	12058	6.50
3.5	89	12060	9.90
4	108	12062	11.60
5	133	12064	15.60
6	159	12066	18.90
8	194	12068	22.20



GALVANIZED STEEL MALE END PLUG WITH LEVER RING

Inch	mm	Code	Price
2	50	12084	84.40
3	76	12086	138.00
3.5	89	12088	165.10
4	108	12090	168.50
5	133	12092	247.70
6	159	12094	416.00
8	194	12096	513.30



GALVANIZED STEEL FEMALE COUPLING WITH HOSE TAIL & RUBBER SEAL - (BAUER X TAIL)

Inch	mm	Code	Price
2	50 x 50	12098	45.80
3	76 x 76	12102	52.30
3.5	89 x 76	12104	68.70
4	108 x 100	12108	90.00
5	133 x 125	12112	124.20
6	159 x 150	12114	151.10
8	194 x 200	12118	286.20



GALVANIZED STEEL MALE COUPLING WITH HOSE TAIL & LEVER RING - (BAUER X TAIL)

Inch	mm	Code	Price
2	50 x 50	12120	68.70
3	76 x 76	12124	125.90
3.5	89 x 89	12128	136.70
4	108 x 100	12130	168.50
5	133 x 125	12134	252.50
6	159 x 150	12136	320.40
8	194 x 200	12140	510.00

IRRIGATION FITTINGS

BAUER STYLE FITTINGS



GALVANIZED STEEL FEMALE COUPLING THREADED BSPM WITH RUBBER SEAL – (BAUER X BSPM)

mm x Inch	Code	Price
50 mm x 2"	12144	104.50
76 mm x 3"	12148	156.20
89 mm x 3"	12150	166.70
108 mm x 4"	12152	136.70
133 mm x 5"	12154	225.70
159 mm x 6"	12156	270.50
194 mm x 8"	12158	303.30



GALVANIZED STEEL FEMALE END PLUG WITH RUBBER SEAL

Inch	mm	Code	Price
2	50	12070	76.10
3	76	12072	79.20
3.5	89	12074	90.00
4	108	12076	94.00
5	133	12078	106.30
6	159	12080	111.20
8	194	12082	160.30



GALVANIZED STEEL FLANGED FEMALE COUPLING WITH RUBBER SEAL – (FLANGE X BAUER)

Inch	mm	Code	Price
2	50 x 50	12180	188.90
3	80 x 89	12182	197.00
4	100 x 108	12184	228.90
5	125 x 133	12186	259.10
6	150 x 159	12188	305.00
8	200 x 194	12190	375.20



GALVANIZED STEEL FLANGED MALE COUPLING WITH LEVER RING – (FLANGE X BAUER)

Inch	mm	Code	Price
2	50 x 50	12194	251.00
3	80 x 89	12196	268.10
4	100 x 108	12198	295.10
5	125 x 133	12200	357.20
6	150 x 159	12202	438.10
8	200 x 194	12204	776.50



GALVANIZED STEEL MALE COUPLING THREADED BSPM WITH LEVER RING – (BAUER X BSPM)

mm x Inch	Code	Price
50 mm x 2"	12162	90.00
76 mm x 3"	12166	188.90
89 mm x 3"	12168	206.00
108 mm x 4"	12170	242.00
133 mm x 5"	12172	331.00
159 mm x 6"	12174	384.20
194 mm x 8"	12176	643.40

IRRIGATION FITTINGS



Rodney Industries

Phone: 07 3624 0300
Email: sales@rodneyind.com.au
Web: www.rodneyind.com.au