



**Rodney
Industries**

A Division of Vinidex Pty Limited

POLYETHYLENE

LEAF & LINT SUCTION STRAINERS



Rodney Industries

A Division of Vinidex Pty Limited

Phone:
Email:
Web:

07 3624 0300
sales@rodneyind.com.au
www.rodneyind.com.au



FOR QUALITY, RANGE AND VALUE, CHOOSE RODNEY INDUSTRIES

To ensure maximum durability and longevity, our Leaf and Lint Strainers come complete with Stainless Steel baskets rather than galvanized.

A G10 Glass epoxy lid also benefits the end user as it enables them to easily see if the strainer needs emptying.

FEATURES INCLUDE:

- Size range from 10 ltrs/sec to 150 ltrs/sec.
- Polyethylene construction eliminates corrosion issues at lighter weights.
- Galvanized swing away toggles for ease of access for basket maintenance.
- Basket made from Stainless Steel 316 mesh.



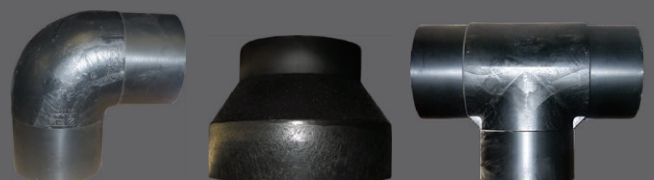
APPLICATIONS INCLUDE:

- Commercial / public swimming pools
- Resorts
- Water features
- Irrigation
- Gross pollutants removal



OFFERING THE COMPLETE PACKAGE

Rodney Industries manufactures and carries a wide selection of Polyethylene fittings to complete your Leaf & Lint Suction Strainer installation.



OUR LEAF & LINT SUCTION STRAINERS

We understand the importance of quality, durability and performance and that is why we offer such a range of Leaf and Lint Suction Strainers designed to offer years of trouble free service.

- Air release outlet fitted to lid.
- Galvanized external fittings as standard, can be optioned as Stainless or G10 (epoxy/glass).
- Polyethylene materials are non toxic, non contaminating, potable water and food grade.
- Modern polyethylene materials ensure that modifications, upgrades or repairs are possible at all times during the working life of the item.
- The size, numbers and arrangement of inlet/outlets are variable to suit specific requirements.
- The full face, full nominal bore Poly Maxi Flange is a perfect product partner for the Rodney Industries' Leaf and Lint Suction Strainers.
- We also manufacture concentric and eccentric flanged reducers in Poly, Galvanized or Stainless.



THE SAME BUT DIFFERENT?

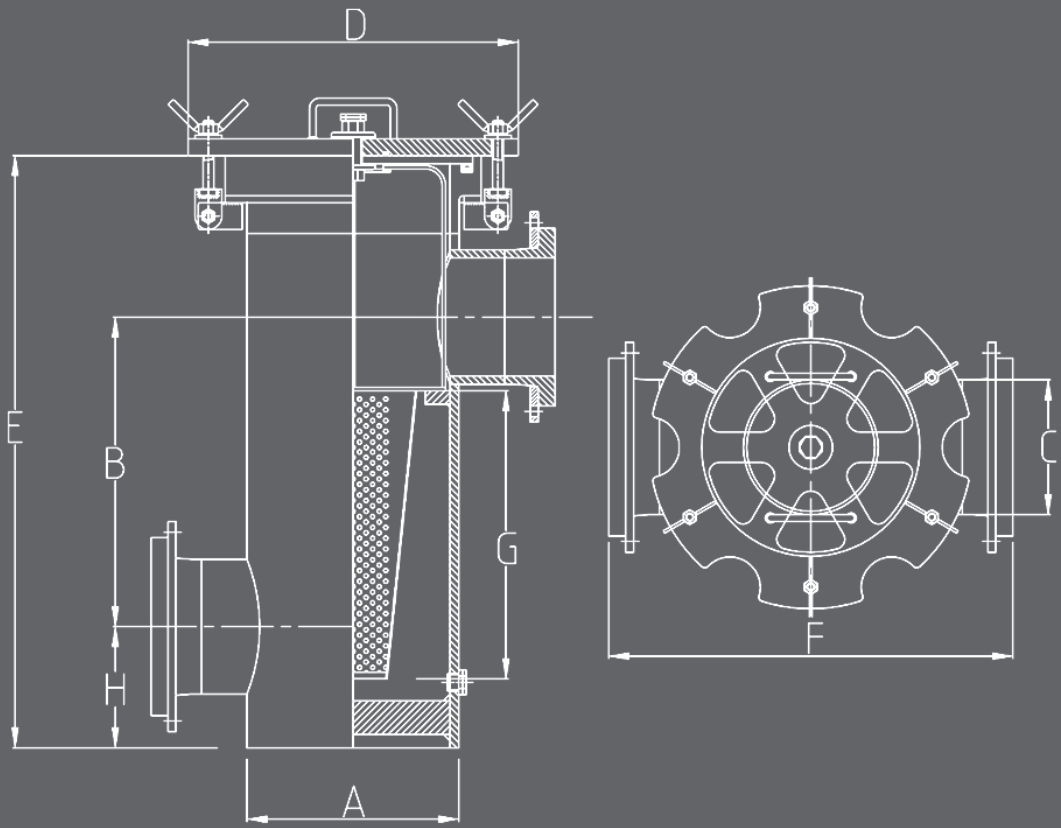
*Need a different size or configuration?
No worries - Just contact our office
with the details and we can design a
strainer to suit your needs.*



Please note: our range of Leaf & Lint suction strainers are not pressure rated.



SPECIFICATIONS



| Strainer | Flow | Inlet | Outlet | A | B | C | D | E | F | G | H |
|----------|--------|---------|---------|--------|-----|-----|-----|------|------|-----|-----|
| LLS-010 | 10 | 90 | 90 | 315/17 | 500 | 90 | 480 | 940 | 570 | 475 | 180 |
| LLS-015 | 10<15 | 110 | 90/110 | 315/17 | 500 | 110 | 480 | 940 | 570 | 475 | 180 |
| LLS-030 | 15<30 | 160 | 110/160 | 315/17 | 500 | 160 | 480 | 940 | 570 | 475 | 180 |
| LLS-050 | 30<50 | 200 | 160/200 | 400/17 | 500 | 200 | 570 | 990 | 700 | 475 | 225 |
| LLS-075 | 50<75 | 225 | 200/225 | 450/21 | 500 | 225 | 635 | 1015 | 760 | 475 | 225 |
| LLS-100 | 75<100 | 250 | 225/250 | 500/21 | 560 | 250 | 680 | 1140 | 800 | 490 | 250 |
| LLS-710 | TBA | 355/630 | 355/630 | 710/17 | 766 | 355 | 900 | 1375 | 1300 | n/a | 760 |

Please note dimensions are to be used as a guide only.
Contact Rodney Industries or your local distributor for more detailed specifications.